

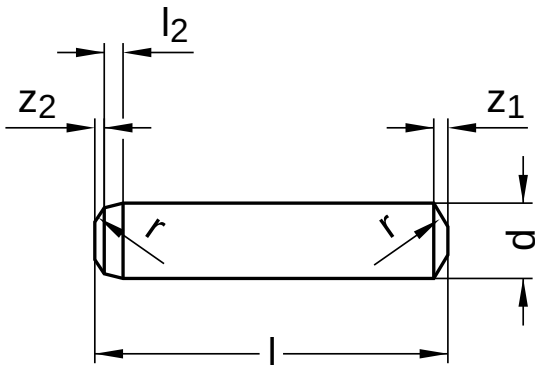
DIN 6325 identical with ISO 8734

Parallel pins

Hardened

Steel | bright | Cr(VI)-free

Further information: DIN-standard has been withdrawn | hardness 60 +/-2 HRC



Diameter (d)	l ₂	r	z ₂	z ₁
1.5	0.5	1.6	0.12	0.23
2	0.6	2.0	0.18	0.30
2.5	0.7	2.5	0.25	0.40
3	0.8	3.0	0.30	0.45
4	1.0	4.0	0.40	0.60
5	1.2	5.0	0.50	0.75
6	1.5	6.0	0.60	0.90
8	1.8	8.0	0.80	1.20
10	2.0	10.0	1.00	1.50
12	2.5	12.0	1.30	1.80
14	2.5	16.0	1.30	2.00
16	3.0	16.0	1.70	2.50
20	4.0	20.0	2.00	3.00

nominal size	Length (l)	
	min.	max.
5	4.85	5.15
6	5.85	6.15
8	7.82	8.18
10	9.82	10.18
12	11.78	12.22
14	13.78	14.22
16	15.78	16.22
18	17.78	18.22
20	19.74	20.26
22	21.74	22.26

nominal size	Length (l)	
	min.	max.
24	23.74	24.26
26	25.74	26.26
28	27.74	28.26
30	29.74	30.26
32	31.69	32.31
36	35.69	36.31
40	39.69	40.31
45	44.69	45.31
50	49.69	50.31
55	54.63	55.37

nominal size	Length (l)	
	min.	max.
60	59.63	60.37
70	69.63	70.37
80	79.63	80.37
90	89.56	90.44
100	99.56	100.44
120	119.56	120.44

All technical data refer to the measure mm



DIN 6325 identical with ISO 8734

Parallel pins

Hardened

Steel | bright | Cr(VI)-free

Diameter (d)	Length (l)																										
	5	6	8	10	12	14	16	18	20	22	24	26	28	30	32	36	40	45	50	55	60	70	80	90	100	120	
1.5	●	●	●	●	●	●	●	●	●																		
2		●	●	●	●	●	●	●	●																		
2.5		●	●	●	●	●	●	●	●	●	●	●															
3		●	●	●	●	●	●	●	●	●	●	●	●	●	●	●	●	●	●								
4			●	●	●	●	●	●	●	●	●	●	●	●	●	●	●	●	●	●							
5				●	●	●	●	●	●	●	●	●	●	●	●	●	●	●	●	●	●						
6					●	●	●	●	●	●	●	●	●	●	●	●	●	●	●	●	●	●	●	●	●	●	●
8						●	●	●	●	●	●	●	●	●	●	●	●	●	●	●	●	●	●	●	●	●	●
10							●	●	●	●	●	●	●	●	●	●	●	●	●	●	●	●	●	●	●	●	●
12											●	●	●	●	●	●	●	●	●	●	●	●	●	●	●	●	●
14																●	●	●	●	●	●	●	●	●	●	●	●
16																●	●	●	●	●	●	●	●	●	●	●	●
20																	●	●	●	●	●	●	●	●	●	●	●

• Combinations available in the eShop | Other sizes on request

All technical data refer to the measure mm

