

BÖLLHOFF

▼DST▼

Innovative and high-strength
Quick fastening solution



Simple. Secure. Solid.

▼DST▼



In a world full of connections Böllhoff now delivers a ground-breaking new technology. With the Snap-Technology -DST- you create easily and without tools high-strength connections – so that your idea quickly and safely great things can be created quickly and safely.



Your advantages at a glance

- High-strength, friction-locked and accurate fit
- Vibration and shock resistant
- Joining of sheets of different thicknesses
- Protective function and still demountable
- Reliable, error-free assembly
- Disassembly possible
- Tool-free assembly in just a few steps
- Electrically conductive connection possible
- Can also be used in difficult bending areas
- Time saving during assembly

The technology – SNAPing instead of screwing

The DST products are based on the so-called snap technology or on the functional principle of a latch lock as found in house and room doors. The basis is formed by two individual parts: the so-called guide with beveled clamping jaws and a spring that sits in a window inside the guide. These snap elements are inserted into the guide channel of a carcass and held in place by a fixing plug. If this fastener is now pushed through an installation opening, the inlet bevel of the clamping jaws pushes the snap element back in the guide channel like a trap. This tensions the spring. As soon as the height of the clamping jaws is overcome during insertion, the tensioned spring pushes the snap elements out of the guide channel again. This produces the typical “snap” sound. The fastener is now clamped in the installation opening and holds the elements to be joined together very firmly.

Assembly process Installation



Assembly without tools in seconds

Products with Snap technology are assembled in seconds without additional tools.



High strength and friction-locked

Snap technology withstands heavy loads and guarantees high strengths and high pull-out torques comparable to a bolted solution.



Shock, vibration and earthquake resistant

DST products are insensitive to vibration and withstand the strongest loads without losing their fitting accuracy, securing and connecting function. Many of our DST products have been successfully tested for vibration and shock (DIN EN 61373) as well as earthquakes (GR-63-CORE, Issue 4).



Reliable and error-free mounting – even in hard-to-reach places

Snap technology ensures that your applications are always perfectly assembled. The risk of incorrect mounting, for example due to incorrect tightening torques, is irrelevant here. One audible click and your application is reliably mounted, even in awkward, narrow and hard-to-reach places.



Safe and convenient disassembly

A large number of DST products are just as easy to disassemble as they are to assemble. Depending on the design, this can be done with standard tools or with special tools. The disassembly option using special tools is particularly recommended where vandalism and unauthorized disassembly are to be prevented. So with DST products you are absolutely flexible in case of disassembly for repair or transport.



Joining materials of different thicknesses

Whether sheet metal, plastic or wood – our DST products are available in different variants for various material thicknesses or also for your individually desired requirements. If required, additional reinforcing plates increase the hold and load capacity.



Solid and electrically conductive

Components with Snap Technology can connect not only solidly, but also electrically conductively through the optional use of a grounding spring.

Product variants

	Page
DST Fastener □9.7 – Toolless5
DST Captive Flex Fastener □9.5 – Handwheel6
DST Captive fastener □9.5 – Handwheel, Phillips H2, Torx 157
DST Fastener □9.5 – Slotted screwdriver8
DST Captive fastener □9.5 – Phillips H29
DST Captive fastener □12.7 – Phillips H210
DST Fastener 8x15 – Toolless11
DST Fastener 30x14 – Disassembly Tool12
DST Double Fastener 30x10 – Toolless13
DST Fastener 30x10 – Screwdriver14
DST Double Fastener 30x10 – Toolless15

Limitless versatile

Sophisticated connection technology is the best guarantee for innovative performance and quality. Snap technology combines flexibility, convenience and safety in any application and under any load, without the use of tools. The precise fit in the sheet metal cutout ensures a precisely fitting, high-strength and friction-locked connection. No loosening, slipping, twisting or wobbling. Reliable, sophisticated and ready for your application. In addition to our standard range, DST also offers individual solutions for every application.



DST Fastener □9.7



for installation opening □9.7, tool-free assembly

Features

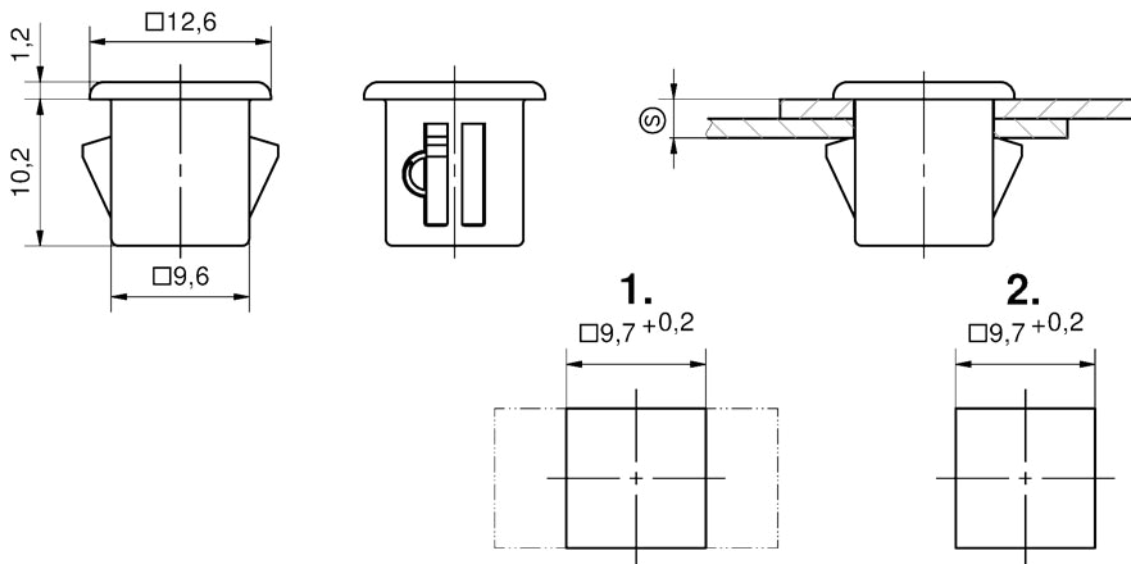
- Fastener with snap technology for the connection of sheets.
- The sheets are connected by simply clipping them into the installation holes provided.
- The dimension (S) always means the thickness of the sheets together.

Materials

- Body: GDZn, raw
- Clip elements: sintered steel, galvanized

Notes

1. = Installation opening rear plate, for tolerance compensation also with slotted hole
2. = Mounting hole front plate



Product number	Clamping range	Vibration resist	Mounting type
D2949104002830	2.5 – 2.7 mm	Yes	toolless

DST Captive Flex Fastener □9.5



Features

- Captive flex fastener with snap technology for joining sheets and closing doors and flaps.
- Complies with Machinery Directive 2006/42EG.
- No losing, dropping or misplacing possible.
- Guarantees a secure fit in the installation opening.
- Shock and vibration resistant according to DIN EN 61373.
- Actuation by handwheel.
- Opening by a ¼ turn of the actuator.
- Self-adjusting clamping range from 0.5 to 5.5 mm.
- One-piece.

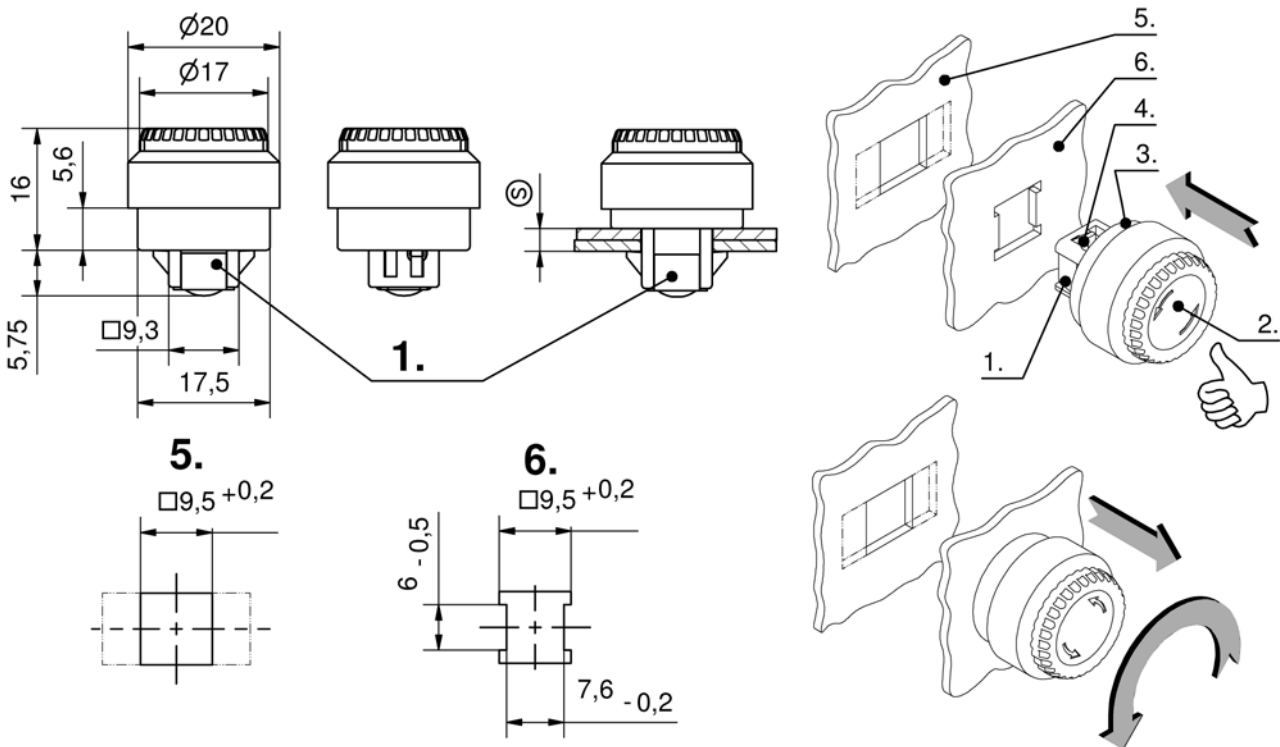
Materials

- Housing and disc: GDZn, chrome-plated
- Handwheel: PA6, black
- Springs: Spring steel
- Clip element: sintered steel, galvanized



**DIN
61373**

**RoHS
WEEE**



Notes

Disassembly: By turning the handwheel (2.) to the left, the clip elements (4.) retract. The pressure spring inside (3.) pushes the fastener out of the rear plate, but it remains captive in the front plate (6.) due to the U-spring (1.). (5.) Installation opening in the rear plate, can also be designed as an oblong hole to compensate for tolerances. The dimension (S) always means the thickness of the plates together.

Product number	Actuation	Clamping range	Vibration resistant	Captive	Mounting type
D29493030000055	Handwheel	0.5 – 5.5 mm	Yes	Yes	toolless

DST Captive fastener □ 9.5



Features

- Captive flex fastener with snap technology for joining sheets and closing doors and flaps.
- Complies with Machinery Directive 2006/42EG.
- No losing, dropping or misplacing possible.
- Guarantees secure fit in the installation opening.
- Shock and vibration proof according to DIN EN 61373.
- Operation by handwheel / Phillips H2 or Torx 15.
- Opening by a ¼ turn of the actuator.
- One-piece.

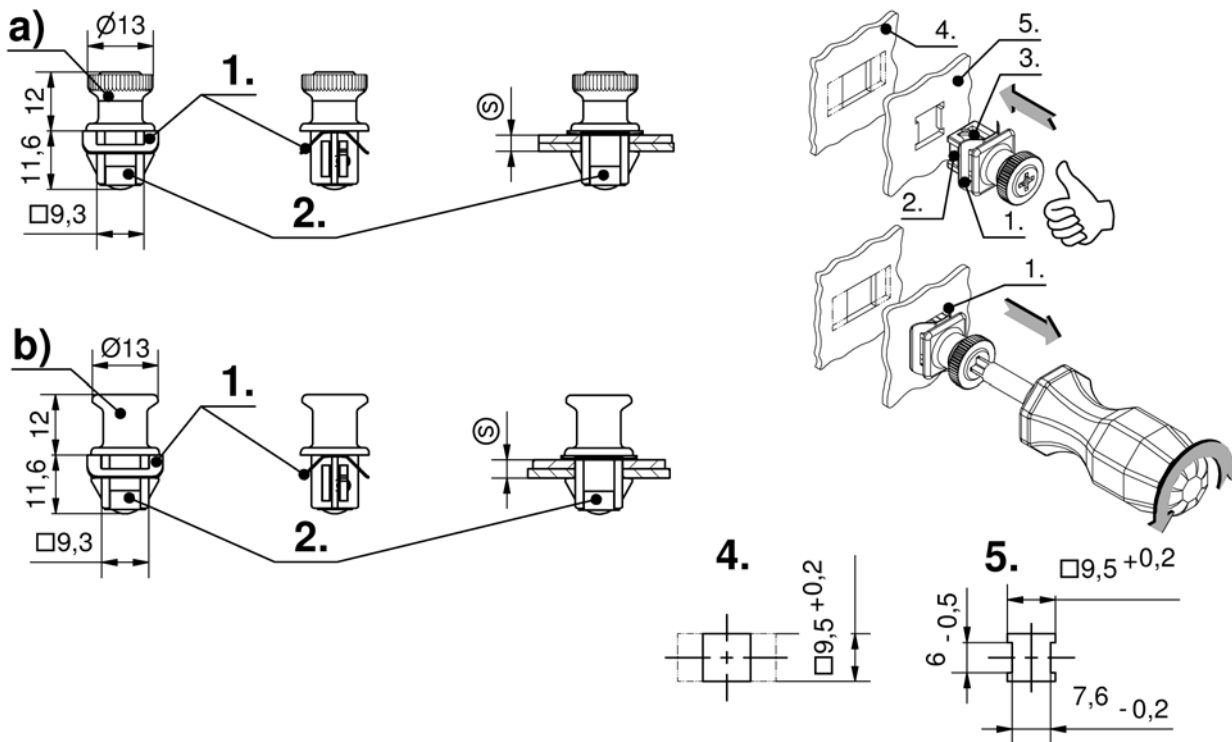
Materials

- Housing: GDZn, chrome-plated or black
- Actuation: Aluminium, anodized
- Springs: Spring steel
- Clip elements: sintered steel, galvanized



**DIN
61373**

**RoHS
WEEE**



Notes

Disassembly: By turning the screwdriver to the left, the clip elements (3.) retract. The leaf spring (1.) pushes the fastener out of the rear plate, but it remains captive in the front plate due to the U-spring (2.). (4.) Installation opening in the rear plate, can also be designed as an oblong hole to compensate for tolerances. (5.) Installation opening in front plate. The dimension (S) always indicates the thickness of the plates.

	Product number	Actuation	Clamping range	Surface	Vibration restent	Captive	Mounting type
a)	D2949210000017	rotary knob / cross recess	0.5 – 5.5 mm	chrome-plated	Yes	Yes	toolless
b)	D29492200000138	Torx actuation	3.7 – 4.0 mm	black	Yes	Yes	toolless

DST Fastener □9.5

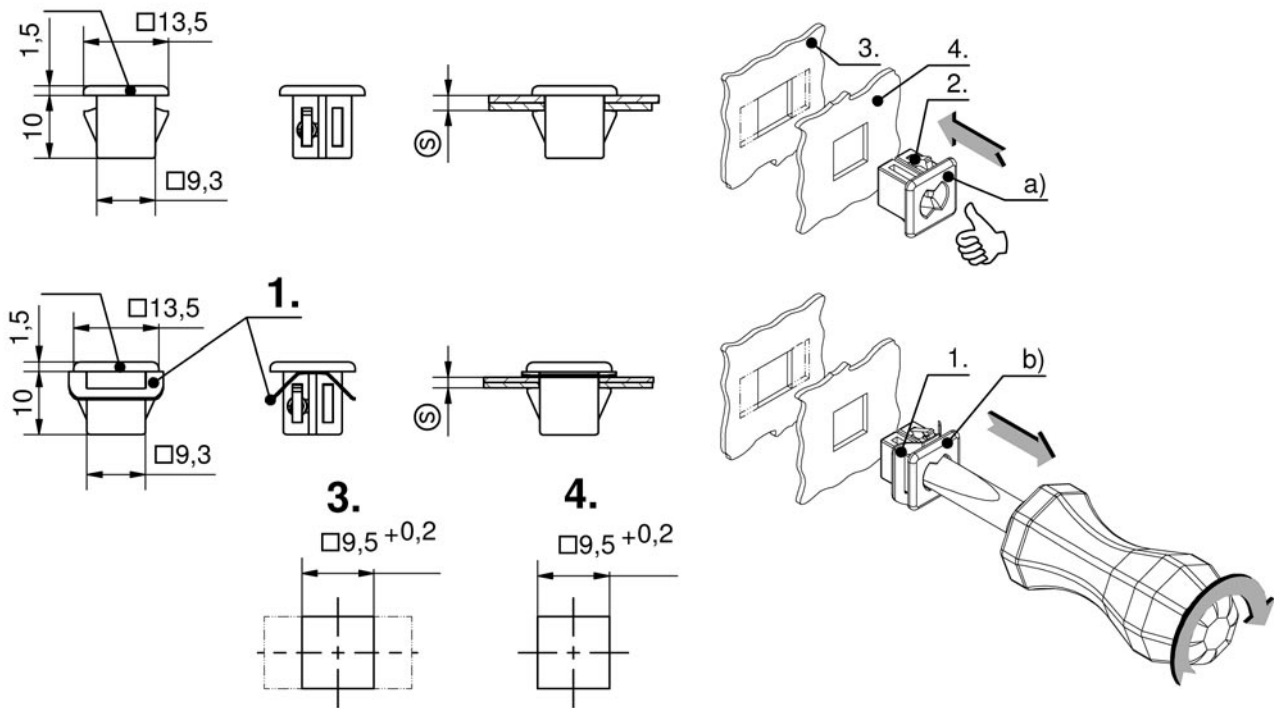


Features

- Fastener with snap technology for the connection of sheets.
- The sheets are connected by simply clipping them by hand into the installation holes provided.
- The fastener can be disassembled from the front using a slotted screwdriver (size max. 7x1mm, min. 6x1mm).
- One-piece.

Materials

- Housing: GDZn, raw
- Clip elements: sintered steel
- Leaf spring: stainless steel



Notes

Disassembly: By turning the screwdriver to the right, the clip elements (2.) retract. a): The fastener can be pressed out of the sheet metal from behind by hand. b): The leaf spring (1.) presses the fastener out of the rear sheet metal. (3.) Installation opening in the rear plate, can also be designed as an oblong hole to compensate for tolerances. (4.) Installation opening in front plate. The dimension (S) always means the thickness of the sheets together.

Product number	Design	Actuation	Clamping range	Vibration resistant	Mounting type
D2949116000030	With leaf spring	Slotted actuation	2.9 – 3.2 mm	Yes	toolless

DST Captive fastener □9.5



Features

- Captive fastener with snap technology for joining sheets and closing doors and flaps.
- Complies with Machinery Directive 2006/42EC.
- Cannot be lost, dropped or misplaced.
- Guarantees secure fit in the installation opening.
- Shock and vibration proof according to DIN EN 61373.
- Actuation by Phillips H2.
- Opening by a ¼ turn of the actuator.
- One-piece.

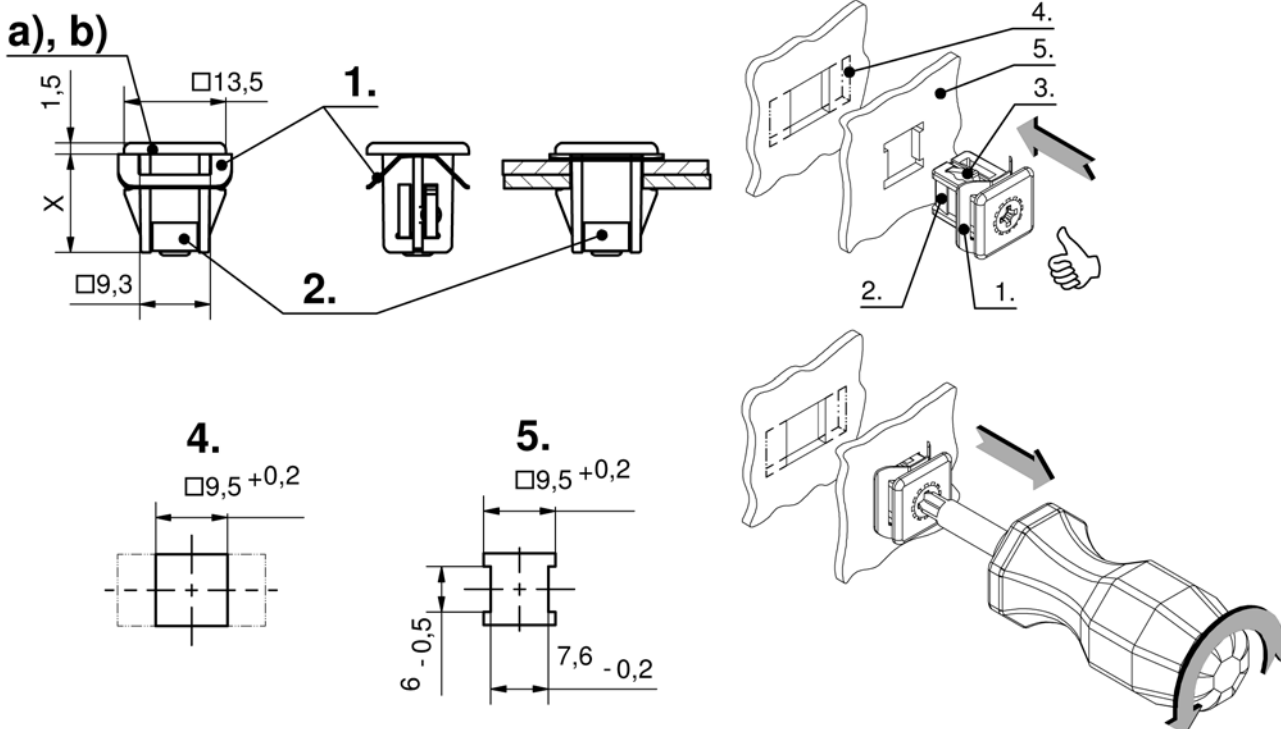
Materials

- Housing: GDZn, raw
- Clip elements: sintered steel
- Actuation: Aluminum, hardened
- Springs: Spring steel



**DIN
61373**

**RoHS
WEEE**



Notes

Disassembly: By turning the screwdriver to the left, the clip elements (3.) retract. The leaf spring (1.) pushes the fastener out of the rear plate, but it remains captive in the front plate due to the U-spring (2.). (4.) Installation opening in the rear plate, can also be designed as an oblong hole to compensate for tolerances. (5.) Installation opening in front plate. The dimension (S) always means the thickness of the plates together.

	Product number	Actuation	Clamping range	Dimension x	Vibration resistant	Captive	Mounting type
a)	D29491120000034	Phillips H2	3.3 – 3.6 mm	11 mm	Yes	Yes	toolless
a)	D29491120000042	Phillips H2	4.1 – 4.4 mm	11 mm	Yes	Yes	toolless
b)	D29491180000050	Phillips H2	4.9 – 5.2 mm	13 mm	Yes	Yes	toolless

DST Captive fastener □ 12.7



Features

- Captive fastener with snap technology for joining sheets and closing doors and flaps.
- Complies with Machinery Directive 2006/42EC.
- Cannot be lost, dropped or misplaced.
- Guarantees secure fit in the installation opening.
- Shock and vibration proof according to DIN EN 61373.
- Actuation by Phillips H2.
- Opening by a ¼ turn of the actuator.
- One-piece.

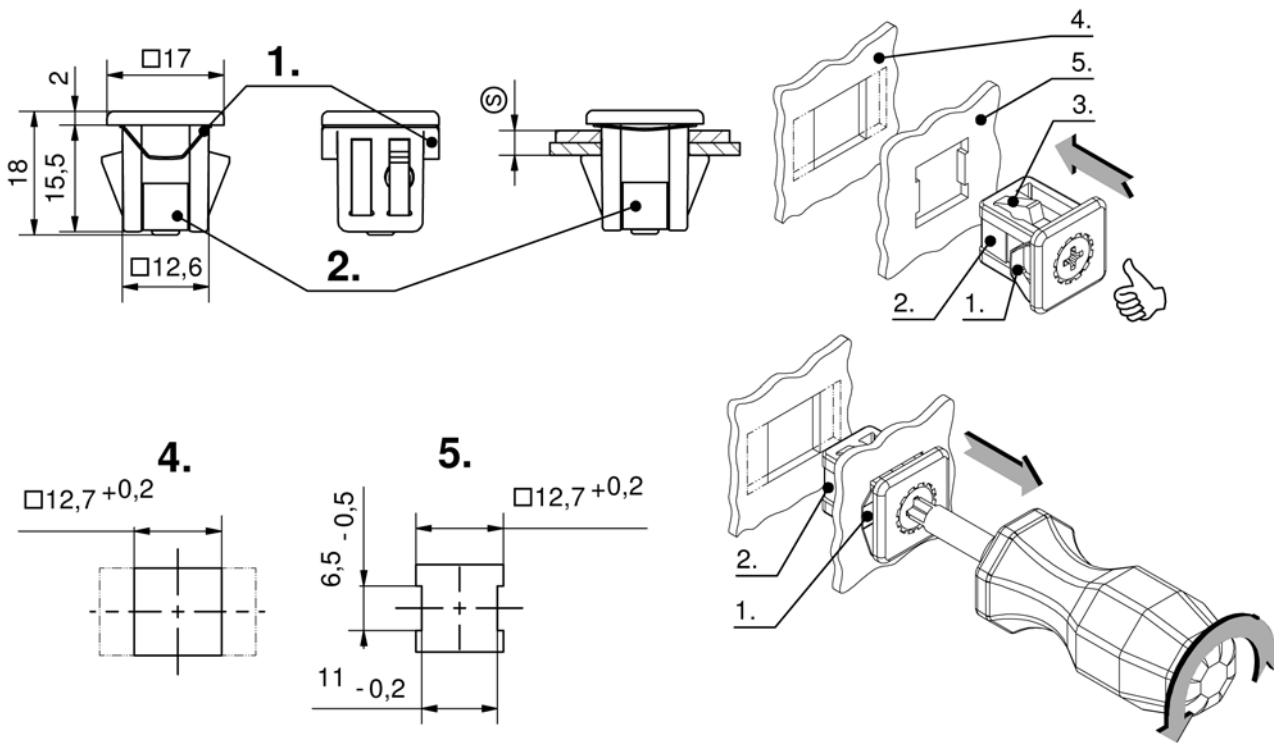
Materials

- Housing: GDZn, raw
- Clip elements: sintered steel
- Actuation: Aluminum, hardened
- Springs: Spring steel



**DIN
61373**

**RoHS
WEEE**



Notes

Disassembly: By turning the screwdriver to the left, the clip elements (3.) retract. The leaf spring (1.) pushes the fastener out of the rear plate, but it remains captive in the front plate due to the U-spring. (4.) Installation opening in the rear plate, can also be designed as an oblong hole to compensate for tolerances. (5.) Installation opening in front plate. The dimension (S) always means the thickness of the plates together.

Product number	Actuation	Clamping range	Vibration resistant	Captive	Mounting type
D29491030000036	Phillips H2	2.9 – 3.4 mm	Yes	Yes	toolless
D29491030000046	Phillips H2	3.9 – 4.4 mm	Yes	Yes	toolless
D29491030000056	Phillips H2	4.9 – 5.4 mm	Yes	Yes	toolless
D29491030000066	Phillips H2	5.9 – 6.4 mm	Yes	Yes	toolless

DST Fastener 8x15

for installation opening 8x15, tool-free assembly



Features

- Fastener with snap technology for the connection of sheets.
- The sheets are connected by simply clipping them into the installation holes provided.
- Using tool 292-0302.70 Product System 6-080DST, this element can be disassembled from the inside as well as from the outside.
- Can also be disassembled from the inside by removing the red plug.
- When open, this tool cannot be removed.

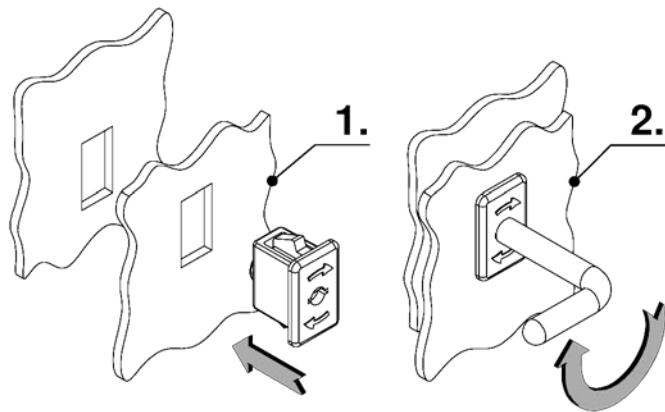
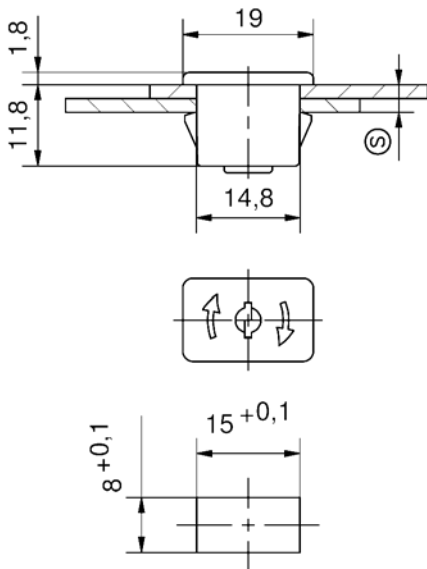
Materials

- Housing: PA, black or light gray RAL 7035
- Clip elements: Grivory, black



DIN 61373

RoHS WEEE



Notes

1. Mounting
2. Disassembly

The dimension (S) always means the thickness of the two sheets together e.g.:
 1.5 + 1.5 = 3
 2.0 + 1.0 = 3
 2.0 + 2.0 = 4

Fastener, PA, black

Product number	Clamping range	Vibration resistant	Mounting type
D29490010000020	2.0 – 2.3 mm	Yes	toolless
D29490010000030	3.0 – 3.3 mm	Yes	toolless
D29490010000040	4.0 – 4.3 mm	Yes	toolless

Befestiger, PA, lichtgrau RAL 7035

Product number	Clamping range	Vibration resistant	Mounting type
D29490020000020	2.0 – 2.3 mm	Yes	toolless

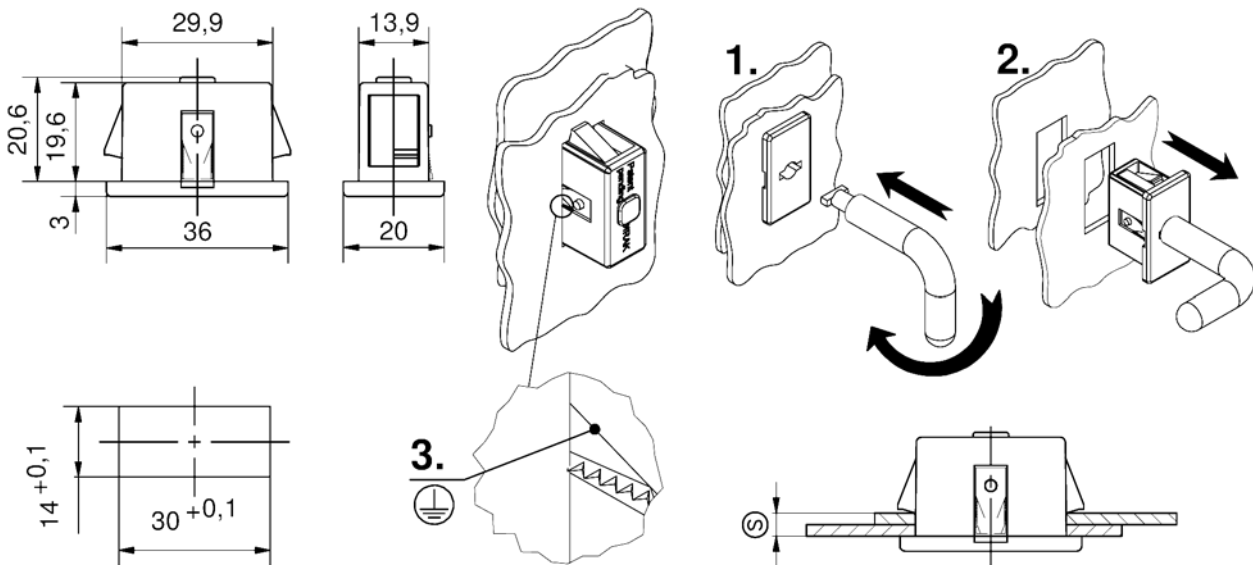


Features

- Fastener with snap technology for connecting metal sheets.
- The sheets are connected by simply clipping them into the installation openings provided for this purpose.
- The riveted grounding spring guarantees an electrical connection of the sheet metal parts to be joined to each other and to the fastener itself.
- Shock and vibration proof according to DIN EN 61373.
- The teeth of the grounding spring also penetrate painted cut edges of the installation openings.
- Disassembly from the front is possible with the disassembly tool 292-0311.15.

Materials

- Housing: GDZn, black
- Clip elements: sintered steel
- Grounding spring: stainless steel



Notes

The dimension (S) always means the thickness of the sheets together.

1. and 2. = Disassembly

3. Grounding spring

Product number	Grounding	Clamping range	Vibration resistant	Mounting type
D29490030000052	Yes	5.0 – 5.5 mm	Yes	toolless

DST Double fastener 30x10

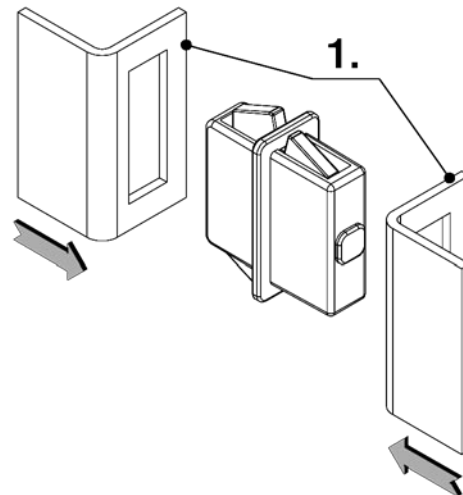
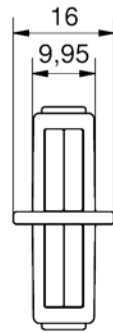
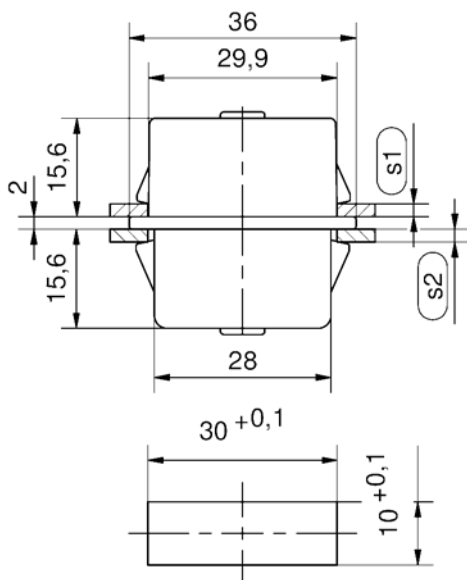


Features

- Double fastener with snap technology for fixed connection of two sheet metal panels.
- For installation opening 30x10.
- Tool-less assembly.
- For tolerance compensation, the fastener is provided with a housing length of 28 mm on one side.

Materials

- Housing: GDZn, black or PA, black
- Clip elements: sintered steel



Notes

1. Assembly

Product number	Design	Clamping range	Clamping range (S) 2	Vibration resistant	Mounting type
D29491073315015	For fixed connections	1.2 – 1.7 mm	1.2 – 1.7 mm	Yes	toolless



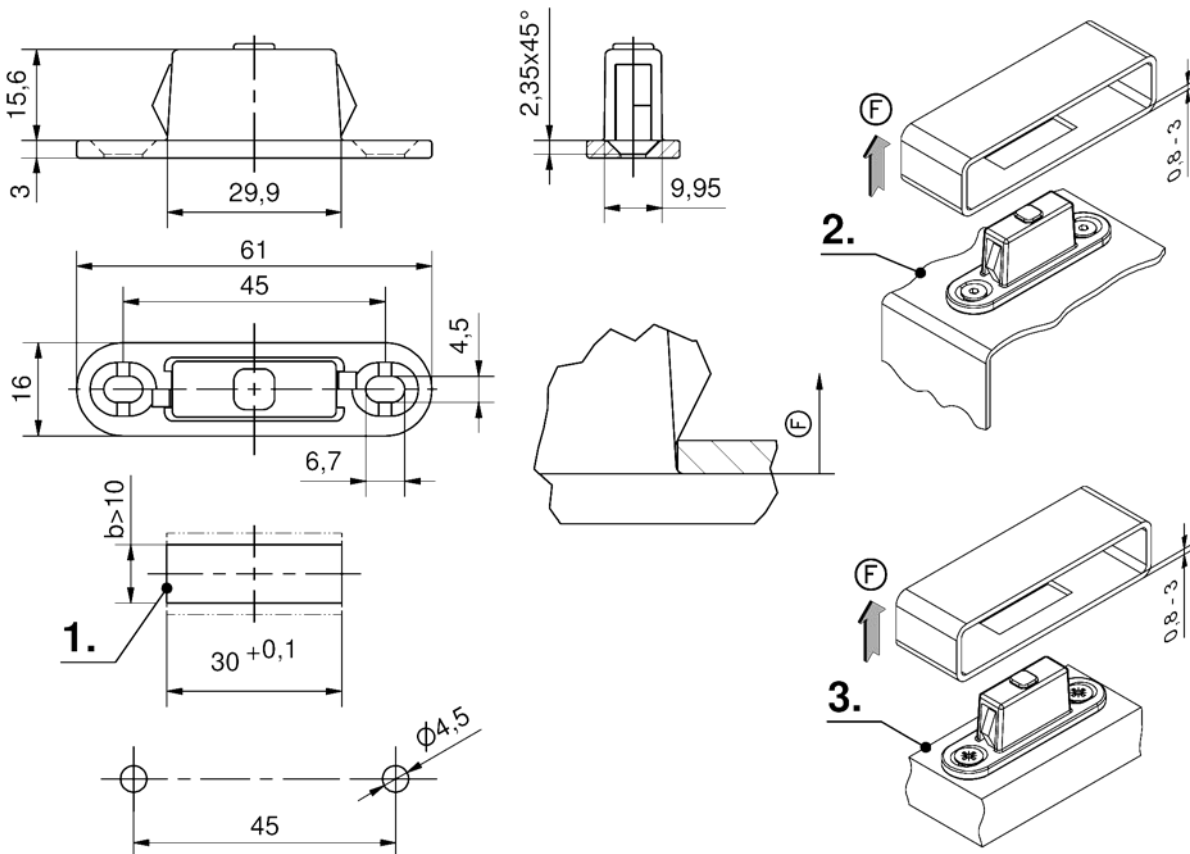
Features

- Fastener with snap technology for one-sided fixed and one-sided removable connection.
- Fastening is done by countersunk screws M 4 or wood screws.
- Clamping range 0.8 - 3mm.
- The width (b) of the installation opening can be selected larger for adjustment.
- Pull-off forces from ~15 - 50N.
- Blind mounting in closed profiles.
- Vibration resistant.



Materials

- Fastener: GDZn, black
- Clip elements: sintered steel



Notes

F = Pull-off force

1. Installation opening for peelable side/tolerance compensation
2. e.g. sheet metal

Product number	Design	Pull-off force	Clamping range	Vibration resistant	Countersunk screw	Mounting type
D29590020000001	One-sided peelable	~15N	0.8 – 3.0 mm	Yes	M 4	toolless / screw on
D29590020000003	One-sided peelable	~30N	0.8 – 3.0 mm	Yes	M 4	toolless / screw on
D29590020000005	One-sided peelable	~50N	0.8 – 3.0 mm	Yes	M 4	toolless / screw on

DST Double fastener 30x10



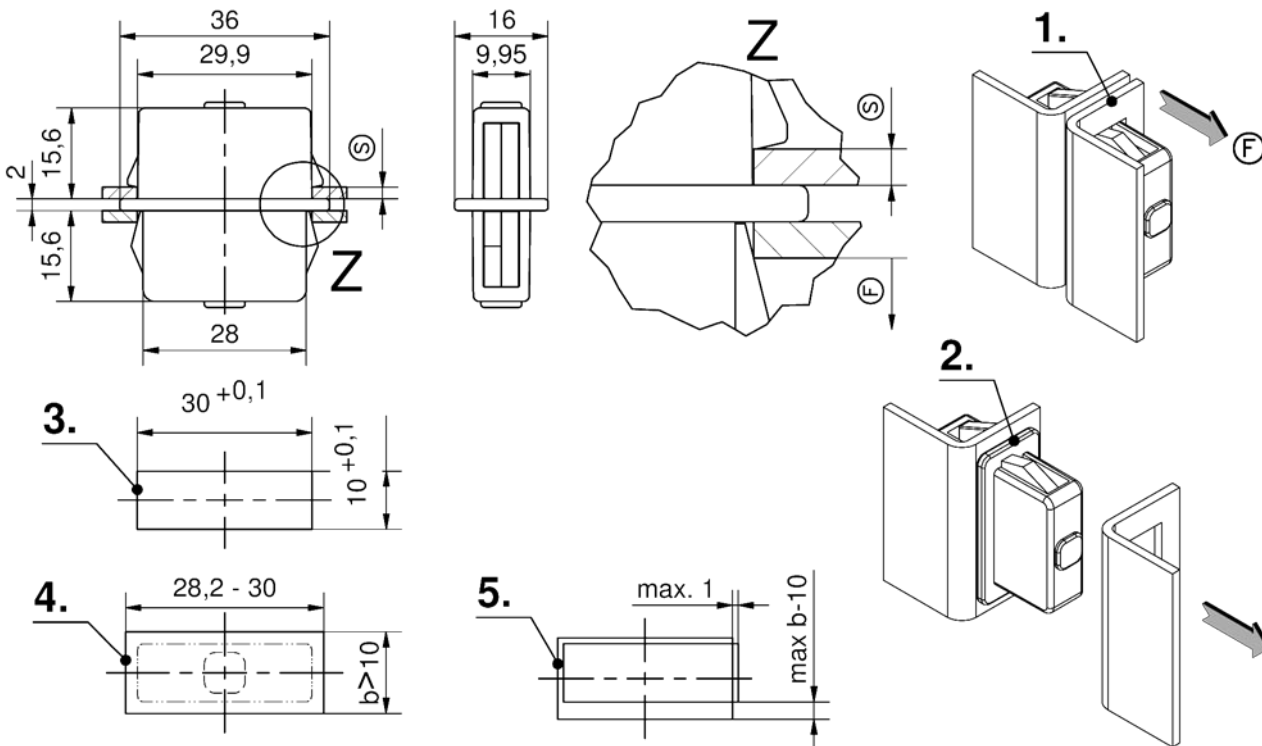
Features

- Double fastener with snap technology for a one-sided fixed and a one-sided removable connection of two sheet metal panels.
- Tool-less assembly.
- Use on double-wall or canted non-sealed doors and sidewalls.
- Double fasteners hold door in place and prevent “rattling”.
- The “fixed” installation opening is 30x10 mm.
- For the removable connection, the installation opening can be chosen from 28x10 mm to 30x16 mm.



Materials

- Double fasteners: PA, black or GDZn, black
- Clip elements: sintered steel



Notes

1. Mounted
2. Pulled off
3. Installation opening for fixed side

4. Installation opening for removable side / tolerance compensation
 5. Possible offset of the two installation openings
- The sheet thickness (S) can be designed differently
 F = Pull-off force

Fastener, GDZn, black

Product number	Design	Pulling force	Clamping range	Vibration resistant	Mounting type
D29590013315005	One-sided pull-off	~50N	2,0 – 2,3 mm	Yes	toolless

Fastener, PA, light gray RAL 7035

Product number	Design	Pulling force	Clamping range	Vibration resistant	Mounting type
D29590015210001	One-sided pull-off	~15N	0,7 – 1,2 mm	Yes	toolless
D29590015215001	One-sided pull-off	~15N	1,2 – 1,7 mm	Yes	toolless

BÖLLHOFF



Böllhoff Group

Innovative partner for joining technology with assembly and logistics solutions.

Find your local partner at www.boellhoff.com or contact us at message@boellhoff.com.

Passion for successful joining.