

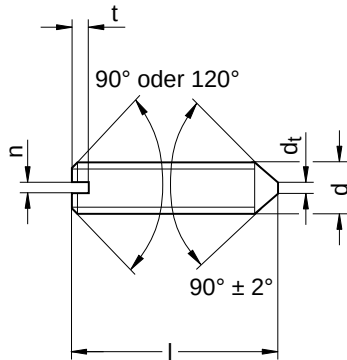
**ISO 7434** similar to DIN 553

## Set screws

With slot and cone point

Steel 14 H | bright | Cr(VI)-free | Metric thread

Further information: 14 H hardness class corresponds to a hardness of 450 HV



Diameter (d)	d <sub>t</sub> max.	n			Pitch (P)	t	
		nominal size	min.	max.		max.	min.
M3	0.3	0.4	0.46	0.60	0.50	1.05	0.80
M4	0.4	0.6	0.66	0.80	0.70	1.42	1.12
M5	0.5	0.8	0.86	1.00	0.80	1.63	1.28
M6	1.5	1.0	1.06	1.20	1.00	2.00	1.60
M8	2.0	1.2	1.26	1.51	1.25	2.50	2.00
M10	2.5	1.6	1.66	1.91	1.50	3.00	2.40
M12	3.0	2.0	2.06	2.31	1.75	3.60	2.80

nominal size	Length (l)	
	min.	max.
4	3.7	4.3
5	4.7	5.3
6	5.7	6.3
8	7.7	8.3
10	9.7	10.3
12	11.6	12.4

nominal size	Length (l)	
	min.	max.
16	15.6	16.4
20	19.6	20.4
25	24.6	25.4
30	29.6	30.4
35	34.5	35.5
40	39.5	40.5

Diameter (d)	Length (l)											
	4	5	6	8	10	12	16	20	25	30	35	40
M3	●	●	●	●	●	●	●					
M4			●	●	●	●	●	●				
M5				●	●	●	●	●	●			
M6				●		●	●	●	●	●		
M8					●	●	●	●	●	●		●
M10						●	●	●	●	●	●	●
M12							●	●	●	●	●	●

● Combinations available in the eShop | Other sizes on request

All technical data refer to the measure mm

