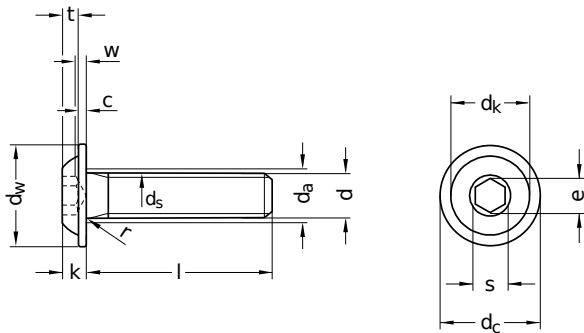


ISO 7380-2
Round head screws

Hexagon socket

Stainless steel A2 | Cr(VI)-free | Metric thread

Further information: Due to their head geometry, these screws are limited in their load bearing capacity, see DIN EN ISO 898-1. Some dimensions thread up to head.



Diameter (d)	c		d _a max.	d _c		d _k		d _s		d _w min.
	min.	max.		min.	max.	min.	max.	min.	max.	
M3	0.55	0.7	3.6	6.32	6.9	4.9	5.2	2.86	3	5.74
M4	0.65	0.8	4.7	8.82	9.4	6.8	7.2	3.82	4	8.24
M5	0.80	1.0	5.7	11.10	11.8	8.4	8.8	4.82	5	10.40
M6	1.00	1.2	6.8	12.90	13.6	9.6	10.0	5.82	6	12.20
M8	1.25	1.5	9.2	17.10	17.8	12.8	13.2	7.78	8	16.40
M10	1.70	2.0	11.2	21.06	21.9	16.1	16.5	9.78	10	20.22
M12	2.10	2.4	13.7	25.16	26.0	18.9	19.4	11.73	12	24.32

Diameter (d)	k		e min.	r min.	s nominal size	Pitch (P)	t min.	w min.	Tool size
	min.	max.							
M3	1.40	1.65	2.30	0.30	2.0	0.50	1.04	0.20	SW 2
M4	1.95	2.20	2.87	0.20 0.40	2.5	0.70	1.30	0.30	SW 2,5
M5	2.50	2.75	3.44	0.20 0.45	3.0	0.80	1.56	0.38	SW 3
M6	3.00	3.30	4.58	0.25 0.50	4.0	1.00	2.08	0.74	SW 4
M8	4.10	4.40	5.72	0.40 0.70	5.0	1.25	2.60	1.05	SW 5
M10	5.20	5.50	6.86	0.70	6.0	1.50	3.12	1.45	SW 6
M12	6.24	6.60	9.15	0.60 1.10	8.0	1.75	4.16	1.63	SW 8

All technical data refer to the measure mm



ISO 7380-2

Round head screws

Hexagon socket

Stainless steel A2 | Cr(VI)-free | Metric thread

nominal size	Length (l)	
	min.	max.
6	5.76	6.24
8	7.71	8.29
10	9.71	10.29
12	11.65	12.35
14	13.65	14.35
16	15.65	16.35
20	19.58	20.42
25	24.58	25.42

nominal size	Length (l)	
	min.	max.
30	29.58	30.42
35	34.50	35.50
40	39.50	40.50
70	69.40	70.60
75	-	-
80	79.40	80.60

Diameter (d)	Length (l)													
	6	8	10	12	14	16	20	25	30	35	40	70	75	80
M3	●	●	●											
M4	●	●	●	●		●	●		●					
M5	●	●	●	●	●	●	●	●		●				
M6	●	●	●	●	●	●		●	●		●			
M8				●		●	●	●	●	●				●
M10						●	●	●		●				
M12											●	●	●	

• Combinations available in the eShop | Other sizes on request

All technical data refer to the measure mm

