

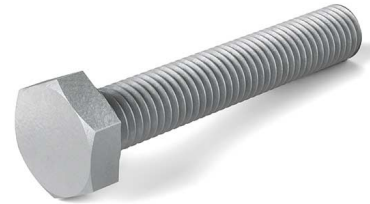
ISO 4017 similar to DIN 933

Hexagon head bolts

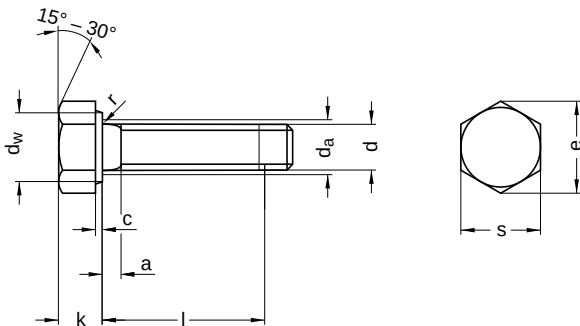
Hexagon head | fully threaded

Steel 8.8 | hot-dip galvanised | Cr(VI)-free | Metric thread

Further information: DIN-standard has been withdrawn | changed spanner widths for M10, M12, M14 and M22



There is a separation into product classes A and B, with the data sheet showing the largest range of values. For more information, see the technical details of the selected article.



Diameter (d)	a		c		d _a	d _w	e	nominal size	k		r	s		Pitch (P)
	min.	max.	min.	max.	max.	min.	min.		min.	max.	min.	max.	min.	
M10	1.50	4.5	0.15	0.6	11.2	14.47	17.59	6.4	6.11	6.69	0.4	16	15.57	1.50
M12	1.75	5.3	0.15	0.6	13.7	16.47	19.85	7.5	7.21	7.79	0.6	18	17.57	1.75

nominal size	Length (l)		nominal size	Length (l)	
	min.	max.		min.	max.
16	15.65	16.35	45	43.75	46.25
20	18.95	21.05	50	48.75	51.25
25	23.95	26.05	55	53.50	56.50
30	28.95	31.05	60	58.50	61.50
35	33.75	36.25	70	68.50	71.50
40	38.75	41.25	80	78.50	81.50

Diameter (d)	Length (l)											
	16	20	25	30	35	40	45	50	55	60	70	80
M10	●	●	●	●	●	●	●	●	●	●	●	●
M12	●	●	●	●	●	●	●	●	●	●	●	●

• Combinations available in the eShop | Other sizes on request

All technical data refer to the measure mm

