

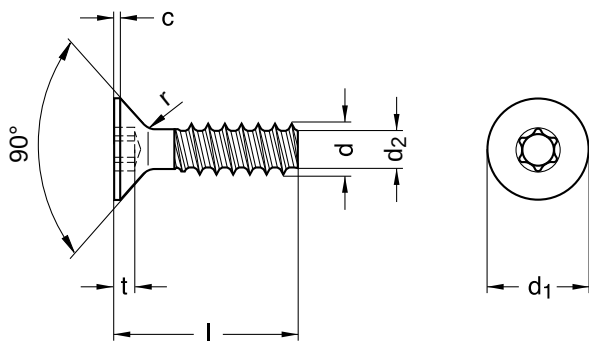
**E 5454**  
**EJOT®-Delta PT-screws**

Countersunk head | torx plus /autosert drive

Steel 10 | zinc-plated | Cr(VI)-free | Self-tapping thread

Further information: For further information and CAD-files please follow the link to the EJOT-homepage:

<http://www.ejot.com/industry>



Diameter (d)	c		d <sub>1</sub> max.	d <sub>2</sub> nominal size	r nominal size	Pitch (P)	t		Tool size
	max.	min.					max.	min.	
M2.2	0.35		4.4	1.51	0.8	0.85	0.65	0.50	T6
M2.5	0.55		5.0	1.72	1	0.95	0.90	0.70	T8
2.5				1.72	1				
3	0.55		6.0	2.09	1.2	1.12	1.00	0.75	T10
M3.5	0.65		7.0	2.45	1.4	1.29	1.30	0.95	T15
4				2.81	1.6				
4	0.70		8.0	2.81	1.6	1.46	1.45	1.10	T20
5	0.75		10.0	3.53	2	1.80	1.65	1.25	T25
6	0.85		12.0	4.26	2.4	2.14	2.00	1.50	T30

nominal size	Length (l)	
	min.	max.
6	5.62	6.38
7	6.55	7.45
8	7.55	8.45
9	8.55	9.45
10	9.55	10.45
12	11.45	12.55

nominal size	Length (l)	
	min.	max.
14	13.45	14.55
16	15.45	16.55
20	19.35	20.65

All technical data refer to the measure mm



**E 5454**

**EJOT®-Delta PT-screws**

Countersunk head | torx plus /autosert drive

Steel 10 | zinc-plated | Cr(VI)-free | Self-tapping thread

Diameter (d)	Length (l)									
	6	7	8	9	10	12	14	16	20	
M2.2	●		●							
M2.5		●	●		●	●				
3	●		●	●	●	●			●	
M3.5					●			●	●	
4						●	●	●		
5									●	
6										●

• Combinations available in the eShop | Other sizes on request

All technical data refer to the measure mm

