

**E 1413**

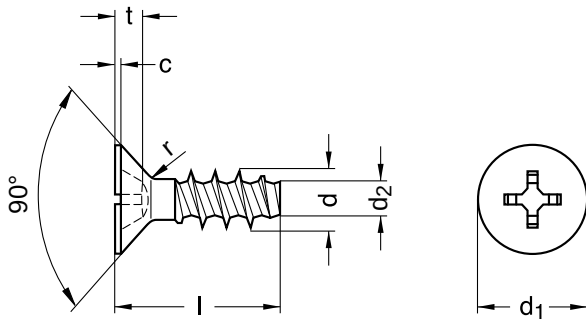
**EJOT®-PT screws**

Senkkopf | Kreuzschlitz Z (Pozidriv)

Steel 10 | zinc-plated | Cr(VI)-free | Self-tapping thread

Further information: For further information and CAD-files please follow the link to the EJOT-homepage:

<http://www.ejot.com/industry>



Diameter (d)	c max.	d <sub>1</sub> nominal size	d <sub>2</sub> nominal size	r nominal size	Pitch (P)	t	
						max.	min.
2.2	0.35	3.8	1.25	Verstärkungskegel	0.98	1.25	0.95
3	0.55	5.5	1.66	1.2	1.34	1.56	1.10
3.5	0.65	7.3	1.91	1.4	1.57	1.96	1.33
4	0.70	8.4	2.17	1.6	1.79	2.22	1.59
5	0.75	9.3	2.68	2	2.24	2.67	2.04

Length (l) nominal size
8
10
12
14

Length (l) nominal size
16
20
25

Diameter (d)	Length (l)						
	8	10	12	14	16	20	25
2.2	●						
3	●	●	●	●			
3.5			●				
4			●		●		
5	●					●	●

• Combinations available in the eShop | Other sizes on request

All technical data refer to the measure mm

