

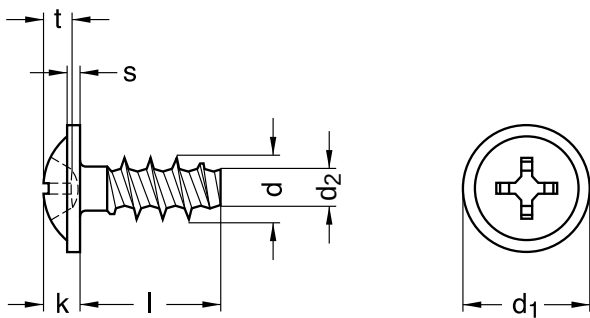
E 1411
EJOT®-PT screws

Raised countersunk head with pressed-on washer | cross-slot phillips

Steel 10 | zinc-plated | Cr(VI)-free | Self-tapping thread

Further information: For further information and CAD-files please follow the link to the EJOT-homepage:

<http://www.ejot.com/industry>



Diameter (d)	d ₁ nominal size	d ₂ nominal size	k nominal size	s		Pitch (P)	t		Tool size
				min.	max.		max.	min.	
2.2	4.4	1.25	1.6	0.5	0.7	0.98	1.14	0.68	H1
2.5	5	1.4	1.8	0.6	0.8	1.12	1.28	0.82	H1
3	6	1.66	2.1	0.7	0.9	1.34	1.61	1.15	H1
3.5	7	1.91	2.4	0.8	1.0	1.57	1.70	1.07	H2
4	8	2.17	2.5	0.9	1.1	1.79	1.96	1.33	H2
5	10	2.68	3.2	1.1	1.3	2.24	2.61	1.98	H2
6	12	3.19	4.0	1.3	1.5	2.69	2.90	2.24	H3

nominal size	Length (l)	
	min.	max.
5	4.62	5.38
6	5.62	6.38
8	7.55	8.45
10	9.55	10.45
12	11.45	12.55
14	13.45	14.55

nominal size	Length (l)	
	min.	max.
16	15.45	16.55
18	17.45	18.55
20	19.35	20.65
25	24.35	25.65
30	29.35	30.65
35	34.20	35.80

All technical data refer to the measure mm



E 1411

EJOT®-PT screws

Raised countersunk head with pressed-on washer | cross-slot phillips

Steel 10 | zinc-plated | Cr(VI)-free | Self-tapping thread

Diameter (d)	Length (l)											
	5	6	8	10	12	14	16	18	20	25	30	35
2.2	●											
2.5		●	●	●	●	●						
3		●	●	●	●	●	●	●	●			
3.5			●	●	●	●	●	●	●	●		
4			●	●	●	●	●	●	●	●	●	●
5				●			●	●		●		
6								●				

• Combinations available in the eShop | Other sizes on request

All technical data refer to the measure mm

