

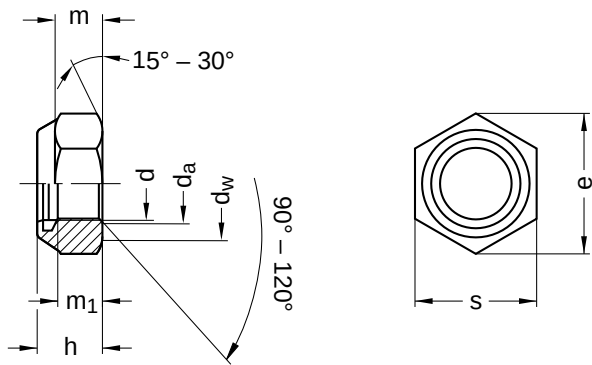
DIN 985 similar to ISO 10511

Hexagon nuts

With clamping part | non-metallic insert | low form

Steel 010 | zinc-plated | Cr(VI)-free | Metric fine thread

Further information: DIN standard has been withdrawn | changed nut height and wrench width



Diameter (d)	d _a		d _w	h		m ₁	e	m	s		Pitch (P)	Tool size
	min.	max.	min.	min.	max.	min.	min.	min.	min.	max.		
M12 x 1.5	12	13.0	17.4	11.57	12.0	6.6	21.10	8.0	18.67	19	1.5	SW 19
M14 x 1.5	14	15.1	20.5	13.30	14.0	7.7	24.49	9.5	21.67	22	1.5	SW 22
M16 x 1.5	16	17.3	22.5	15.30	16.0	8.8	26.75	10.5	23.67	24	1.5	SW 24
M18 x 1.5	18	19.5	24.9	17.66	18.5	9.9	29.56	13.0	26.16	27	1.5	SW 27
M20 x 1.5	20	21.6	27.7	18.70	20.0	11.0	32.95	14.0	29.16	30	1.5	SW 30
M24 x 1.5	24	25.9	33.2	22.70	24.0	13.2	39.55	15.0	35.00	36	1.5	SW 36
M24 x 2	24	25.9	33.2	22.70	24.0	13.2	39.55	15.0	35.00	36	2.0	SW 36

All technical data refer to the measure mm

