

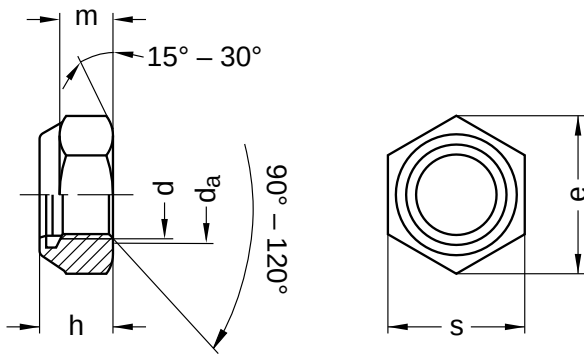
DIN 982 similar to ISO 7040

Hexagon nuts

With clamping part | non-metallic insert | high form

Steel 8 | zinc-plated | Cr(VI)-free | Metric thread

Further information: DIN standard has been withdrawn | modified nut height and wrench width



Diameter (d)	d _a		h		e	m	s		Pitch (P)	Tool size
	min.	max.	min.	max.			min.	max.		
M5	5	5.75	6.00	6.3	8.79	4.40	7.78	8	0.80	SW 8
M6	6	6.75	7.70	8.0	11.05	4.90	9.78	10	1.00	SW 10
M8	8	8.75	9.14	9.5	14.38	6.44	12.73	13	1.25	SW 13
M10	10	10.80	11.14	11.5	18.90	8.04	16.73	17	1.50	SW 17
M12	12	13.00	13.64	14.0	21.10	10.37	18.67	19	1.75	SW 19
M14	14	15.10	15.30	16.0	24.49	12.10	21.67	22	2.00	SW 22
M16	16	17.30	17.30	18.0	26.75	14.10	23.67	24	2.00	SW 24
M20	20	21.60	20.70	22.0	32.95	16.90	29.16	30	2.50	SW 30
M24	24	25.90	26.70	28.0	39.55	20.20	35.00	36	3.00	SW 36

All technical data refer to the measure mm

