

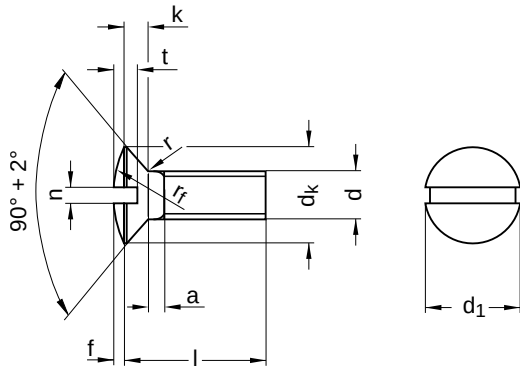
**DIN 964** similar to ISO 2010

## Raised countersunk head screws

With slot | Form A

Steel 4.8 | bright | Cr(VI)-free | Metric thread

Further information: DIN standard has been withdrawn



Diameter (d)	a max.	dk		f	k max.	nominal size	n		rf	r max.	Pitch (P)	t	
		min.	max.				min.	max.				max.	min.
M3	1.0	5.30	5.6	0.75	1.65	0.8	0.86	1.00	6	0.3	0.50	1.45	1.2
M4	1.4	7.14	7.5	1.00	2.20	1.0	1.06	1.20	8	0.4	0.70	1.90	1.6
M5	1.6	8.84	9.2	2.50	1.25	1.2	1.26	1.51	10	0.5	0.80	2.30	2.0
M6	2.0	10.57	11.0	3.00	1.50	1.6	1.66	1.91	12	0.6	1.00	2.80	2.4
M8	2.5	14.07	14.5	4.00	2.00	2.0	2.06	2.31	16	0.8	1.25	3.70	3.2

nominal size	Length (l)	
	min.	max.
5	4.76	5.24
6	5.76	6.24
8	7.70	8.30
10	9.70	10.30
12	11.65	12.35
16	15.65	16.35
18	17.65	18.35
20	19.60	20.40

nominal size	Length (l)	
	min.	max.
22	21.60	22.40
25	24.60	25.40
30	29.60	30.40
35	34.50	35.50
40	39.50	40.50
45	44.50	45.50
50	49.50	50.50

Diameter (d)	Length (l)														
	5	6	8	10	12	16	18	20	22	25	30	35	40	45	50
M3	●	●	●	●	●	●	●	●	●	●	●	●	●	●	●
M4	●	●	●	●	●	●	●	●	●	●	●	●	●	●	●
M5	●	●	●	●	●	●	●	●	●	●	●	●	●	●	●
M6	●	●	●	●	●	●	●	●	●	●	●	●	●	●	●
M8	●	●	●	●	●	●	●	●	●	●	●	●	●	●	●

• Combinations available in the eShop | Other sizes on request

All technical data refer to the measure mm

