

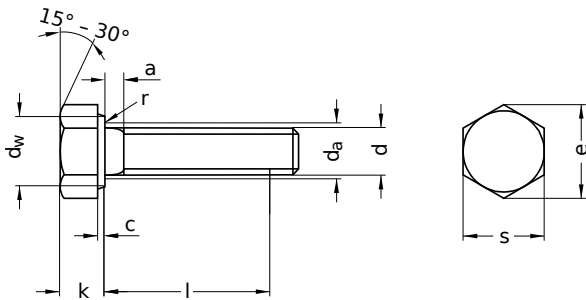
DIN 961 similar to ISO 8676

Hexagon head bolts

Hexagon head | fully threaded

Steel 8.8 | bright | Cr(VI)-free | Metric fine thread

Further information: DIN-standard has been withdrawn | changed spanner widths for M10, M12, M14 and M22



Diameter (d)	a max.	c		d _a max.	d _w min.	e min.	k			r min.	s		Pitch (P)	Tool size
		min.	max.				nominal size	min.	max.		max.	min.		
M8 x 1	3.00	0.15	0.6	9.2	11.4	14.20	5.3	5.06	5.54	0.4	13	12.57	1.00	SW 13
M10 x 1	3.75	0.15	0.6	11.2	15.4	18.72	6.4	6.11	6.69	0.4	17	16.57	1.00	SW 17
M10 x 1.25	3.75	0.15	0.6	11.2	15.4	18.72	6.4	6.11	6.69	0.4	17	16.57	1.25	SW 17
M12 x 1.25	4.50	0.15	0.6	13.7	17.2	20.88	7.5	7.21	7.79	0.6	19	18.48	1.25	SW 19
M12 x 1.25	4.50	0.15	0.6	13.7	17.2	20.88	7.5	7.21	7.79	0.6	19	18.48	1.25	SW 19
M12 x 1.5	4.50	0.15	0.6	13.7	17.2	20.88	7.5	7.21	7.79	0.6	19	18.48	1.50	SW 19
M14 x 1.5	4.50	0.15	0.6	15.7	20.1	23.91	8.8	8.51	9.09	0.6	22	21.16	1.50	SW 22
M14 x 1.5	4.50	0.15	0.6	15.7	20.1	23.91	8.8	8.51	9.09	0.6	22	21.16	1.50	SW 22
M16 x 1.5	4.50	0.20	0.8	17.7	22.0	26.17	10.0	9.71	10.29	0.6	24	23.16	1.50	SW 24
M16 x 1.5	4.50	0.20	0.8	17.7	22.0	26.17	10.0	9.71	10.29	0.6	24	23.16	1.50	SW 24
M18 x 1.5	6.00	0.20	0.8	20.2	24.8	29.56	11.5	11.15	11.85	0.6	27	26.16	1.50	SW 27
M20 x 1.5	6.00	0.20	0.8	22.4	27.7	32.95	12.5	12.15	12.85	0.8	30	29.16	1.50	SW 30
M20 x 1.5	6.00	0.20	0.8	22.4	27.7	32.95	12.5	12.15	12.85	0.8	30	29.16	1.50	SW 30
M20 x 2	6.00	0.20	0.8	22.4	27.7	32.95	12.5	12.15	12.85	0.8	30	29.16	2.00	SW 30
M22 x 1.5	6.00	0.20	0.8	24.4	29.5	35.03	14.0	13.65	14.35	0.8	32	31.00	1.50	SW 32
M22 x 1.5	6.00	0.20	0.8	24.4	29.5	35.03	14.0	13.65	14.35	0.8	32	31.00	1.50	SW 32
M24 x 1.5	6.00	0.20	0.8	26.4	33.2	39.55	15.0	14.65	15.35	0.8	36	35.00	1.50	SW 36
M24 x 2	6.00	0.20	0.8	26.4	33.2	39.55	15.0	14.65	15.35	0.8	36	35.00	2.00	SW 36
M30 x 2	6.00	0.20	0.8	33.4	42.7	50.58	18.7	18.28	19.12	1.0	46	45.00	2.00	SW 46

All technical data refer to the measure mm



DIN 961 similar to ISO 8676

Hexagon head bolts

Hexagon head | fully threaded

Steel 8.8 | bright | Cr(VI)-free | Metric fine thread

nominal size	Length (l)	
	min.	max.
16	15.65	16.35
20	19.58	20.42
25	24.58	25.42
30	29.58	30.42
35	34.50	35.50
40	39.50	40.50
45	44.50	45.50
50	49.50	50.50

nominal size	Length (l)	
	min.	max.
55	54.40	55.60
60	59.40	60.60
65	64.40	65.60
70	69.40	70.60
75	74.40	75.60
80	79.40	80.60
90	88.25	91.75
100	98.25	101.75

nominal size	Length (l)	
	min.	max.
110	108.25	111.75
120	118.28	121.75
150	148.00	152.00

Diameter (d)	Length (l)																			
	16	20	25	30	35	40	45	50	55	60	65	70	75	80	90	100	110	120	150	
M8 x 1	●	●	●	●		●	●			●					●	●	●			
M10 x 1	●	●	●	●	●	●	●	●		●					●	●	●			
M10 x 1.25	●	●	●	●	●	●	●	●												
M12 x 1.25						●														
M12 x 1.25		●	●	●	●	●		●		●		●		●		●				
M12 x 1.5		●	●	●	●	●	●	●				●		●		●				
M14 x 1.5											●									
M14 x 1.5		●	●	●	●	●	●	●	●	●		●		●		●				
M16 x 1.5															●				●	
M16 x 1.5		●	●	●		●	●	●	●	●		●		●		●				
M18 x 1.5				●			●	●	●	●		●		●		●				
M20 x 1.5																		●		
M20 x 1.5				●	●	●	●		●	●	●	●		●	●	●				
M20 x 2								●	●	●	●									
M22 x 1.5												●								
M22 x 1.5								●		●										
M24 x 1.5															●		●			
M24 x 2								●		●					●		●			
M30 x 2																●				

● Combinations available in the eShop | Other sizes on request

All technical data refer to the measure mm

