

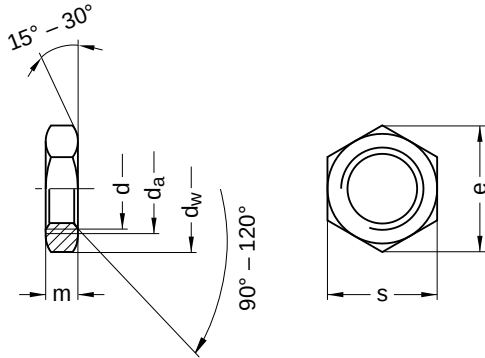
**DIN 936**

**Hexagon nuts**

Low form | external hex

Brass | Cr(VI)-free | Metric thread

Further information: Norm has been withdrawn without replacement



Diameter (d)	d <sub>a</sub>		d <sub>w</sub> min.	e min.	m		s		Pitch (P)	Tool size
	min.	max.			min.	max.	min.	max.		
M8	8	8.75	11.3	14.38	4.70	5	12.73	13	1.25	SW 13
M10	10	10.80	15.3	18.90	5.70	6	16.73	17	1.50	SW 17
M12	12	13.00	17.2	21.10	6.64	7	18.67	19	1.75	SW 19
M14	14	15.10	20.2	24.49	7.42	8	21.67	22	2.00	SW 22
M16	16	17.30	22.2	26.75	7.42	8	23.67	24	2.00	SW 24
M18	18	19.50	25.3	29.56	8.42	9	26.16	27	2.50	SW 27
M20	20	21.60	28.2	32.95	8.10	9	29.16	30	2.50	SW 30
M22	22	23.70	29.5	35.03	9.10	10	31.00	32	2.50	SW 32
M24	24	25.90	33.2	39.55	9.10	10	35.00	36	3.00	SW 36
M27	27	29.10	38.0	45.20	10.90	12	40.00	41	3.00	SW 41
M30	30	32.40	42.7	50.85	10.90	12	45.00	46	3.50	SW 46

All technical data refer to the measure mm

