

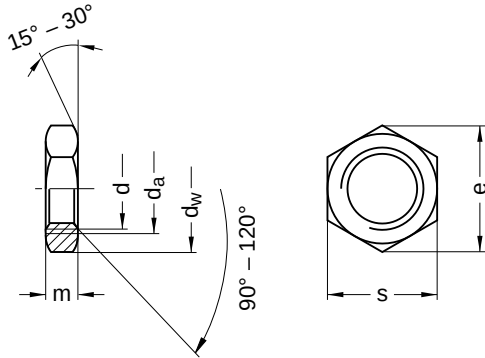
DIN 936

Hexagon nuts

Low form | external hex

Stainless steel A4 | Cr(VI)-free | Metric thread

Further information: Norm has been withdrawn without replacement



Diameter (d)	d _a		d _w	e	m		s		Pitch (P)	Tool size
	min.	max.	min.	min.	min.	max.	min.	max.		
M8	8	8.75	11.3	14.38	4.70	5	12.73	13	1.25	SW 13
M10	10	10.80	15.3	18.90	5.70	6	16.73	17	1.50	SW 17
M12	12	13.00	17.2	21.10	6.64	7	18.67	19	1.75	SW 19
M16	16	17.30	22.2	26.75	7.42	8	23.67	24	2.00	SW 24
M20	20	21.60	28.2	32.95	8.10	9	29.16	30	2.50	SW 30
M24	24	25.90	33.2	39.55	9.10	10	35.00	36	3.00	SW 36
M30	30	32.40	42.7	50.85	10.90	12	45.00	46	3.50	SW 46

All technical data refer to the measure mm

