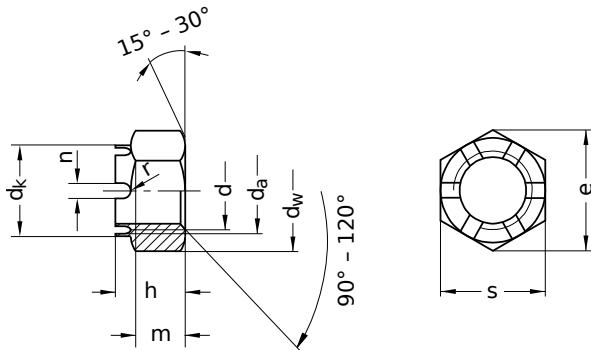


DIN 935
Castle nuts

External hex

Steel 8 | zinc-plated | Cr(VI)-free | Metric thread



| Diameter (d) | da | | dk | | dw | h | | e | m | | n | | s | | Pitch (P) | Tool size |
|-----------------|------|------|-------|------|------|-------|------|-------|-------|------|------|------|-------|------|--------------|--------------|
| | min. | max. | min. | max. | | min. | max. | | min. | max. | min. | max. | min. | max. | | |
| M10 | 10 | 10.8 | - | - | 14.6 | 11.57 | 12 | 17.77 | 7.64 | 8 | 2.8 | 3.05 | 15.73 | 16 | 1.50 | SW 17 |
| M12 | 12 | 13.0 | 15.57 | 16 | 16.6 | 14.57 | 15 | 20.03 | 9.64 | 10 | 3.5 | 3.80 | 17.73 | 18 | 1.75 | SW 19 |
| M16 | 16 | 17.3 | 21.48 | 22 | 22.5 | 18.48 | 19 | 26.75 | 12.57 | 13 | 4.5 | 4.80 | 23.67 | 24 | 2.00 | SW 24 |
| M20 | 20 | 21.6 | 27.30 | 28 | 27.7 | 21.16 | 22 | 32.95 | 15.57 | 16 | 4.5 | 4.80 | 29.16 | 30 | 2.50 | SW 30 |
| M24 | 24 | 25.9 | 33.00 | 34 | 33.2 | 26.16 | 27 | 39.55 | 18.48 | 19 | 5.5 | 5.80 | 35.00 | 36 | 3.00 | SW 36 |
| M30 | 30 | 32.4 | 41.00 | 42 | 42.7 | 32.00 | 33 | 50.85 | 23.48 | 24 | 7.0 | 7.36 | 45.00 | 46 | 3.50 | SW 46 |

All technical data refer to the measure mm

