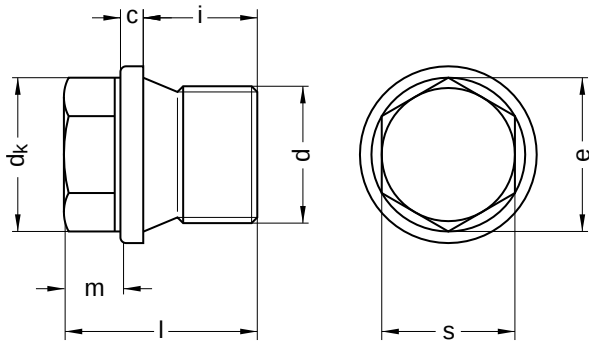


DIN 910
Locking screws

Hexagon head with flange

Stainless steel A4 | Cr(VI)-free | Cylindrical pipe thread



Diameter (d)	c		dk nominal size	i	m nominal size	e min.	s nominal size	Tool size
	nominal size	max.						
G 1/8 A	3	3.5	14	8	6	10.89	10	SW 10
G 1/4 A	3	3.5	18	12	6	14.20	13	SW 13
G 3/8 A	3	3.5	22	12	6	17.59	16	SW 17
G 1/2 A	4	4.5	26	14	8	19.85	18	SW 19
G 3/4 A	4	4.5	32	16	10	26.17	24	SW 24
G 1 A	5	5.5	39	16	11	29.56	27	SW 27
G 1 1/4 A	5	5.5	49	16	12	32.95	30	SW 30
G 1 1/2 A	5	5.5	55	16	12	32.95	30	SW 30
G 2 A	5	5.5	68	20	15	39.55	36	SW 36

Length (l) nominal size
17
21
26
30

Length (l) nominal size
32
33
40

All technical data refer to the measure mm



DIN 910
Locking screws

Hexagon head with flange

Stainless steel A4 | Cr(VI)-free | Cylindrical pipe thread

Diameter (d)	Length (l)						
	17	21	26	30	32	33	40
G 1/8 A	●						
G 1/4 A		●					
G 3/8 A		●					
G 1/2 A			●				
G 3/4 A				●			
G 1 A					●		
G 1 1/4 A						●	
G 1 1/2 A							●
G 2 A							●

• Combinations available in the eShop | Other sizes on request

All technical data refer to the measure mm

