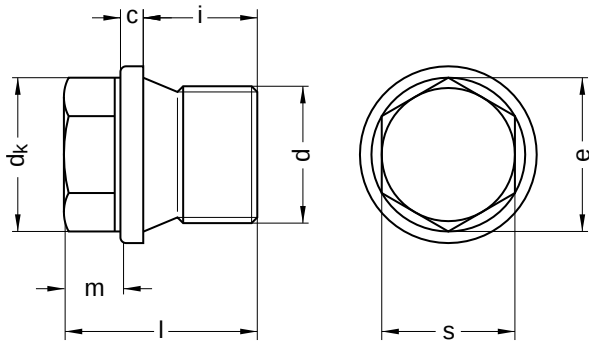


**DIN 910**  
**Locking screws**

Hexagon head with flange

Stainless steel A4 | Cr(VI)-free | Cylindrical metric fine thread



Diameter (d)	c		d <sub>k</sub> nominal size	i	m nominal size	e min.	s nominal size	Pitch (P)	Tool size
	nominal size	max.							
M10 x 1	3	3.5	14	8	6	10.89	10	1.0	SW 10
M12 x 1.5	3	3.5	17	12	6	14.20	13	1.5	SW 13
M14 x 1.5	3	3.5	19	12	6	14.20	13	1.5	SW 13
M16 x 1.5	3	3.5	21	12	6	17.59	16	1.5	SW 17
M18 x 1.5	4	4.5	23	12	8	17.59	16	1.5	SW 17
M24 x 1.5	4	4.5	29	14	9	22.78	21	1.5	SW 22
M26 x 1.5	4	4.5	31	16	10	26.17	24	1.5	SW 24
M30 x 2	4	4.5	36	16	10	26.17	24	2.0	SW 24

Length (l) nominal size	Length (l) nominal size
17	24
21	27
	30

All technical data refer to the measure mm



**DIN 910**

**Locking screws**

Hexagon head with flange

Stainless steel A4 | Cr(VI)-free | Cylindrical metric fine thread

Diameter (d)	Length (l)				
	17	21	24	27	30
M10 x 1	●				
M12 x 1.5		●			
M14 x 1.5		●			
M16 x 1.5		●			
M18 x 1.5			●		
M24 x 1.5				●	
M26 x 1.5					●
M30 x 2					●

• Combinations available in the eShop | Other sizes on request

All technical data refer to the measure mm

