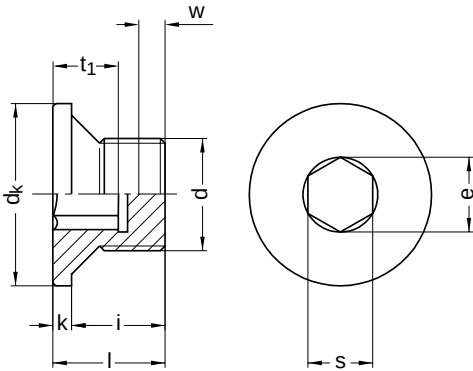


DIN 908

Locking screws

Cylinder head with flange | hexagon socket

Steel | zinc-plated, thick-film passivated (VZD)



Diameter (d)	dk nominal size	i	k min.	k max.	e min.	s nominal size	t1 min.	w min.	Tool size	Length (l) nominal size
G 1/2 A	26	14	4	4.5	11.4	10	7.5	4	SW 10	18
G 3/4 A	32	16	4	4.5	13.7	12	9.0	4	SW 8	20

All technical data refer to the measure mm

