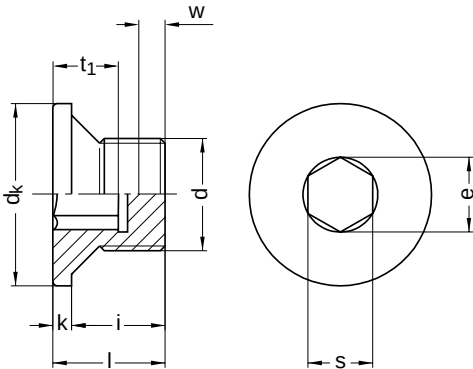


DIN 908

Locking screws

Cylinder head with flange | hexagon socket

Steel | bright | Cr(VI)-free | Cylindrical pipe thread



Diameter (d)	dk nominal size	i	k		e min.	s nominal size	t ₁ min.	w min.	Tool size	Length (l) nominal size
			min.	max.						
G 1/8 A	14	8	3	3.5	5.7	5	5.0	3	SW 5	11
G 1/4 A	18	12	3	3.5	6.9	6	7.0	3	SW 6	15
G 3/8 A	22	12	3	3.5	9.2	8	7.5	3	SW 8	15
G 1/2 A	26	14	4	4.5	11.4	10	7.5	4	SW 10	18
G 3/4 A	32	16	4	4.5	13.7	12	9.0	4	SW 12	20
G 1 A	39	16	5	5.5	19.4	17	9.0	4	SW 17	21
G 1 1/8 A	44	16	5	5.5	21.7	19	10.5	4	SW 19	21
G 1 1/4 A	49	16	5	5.5	25.2	22	10.5	4	SW 22	21
G 1 1/2 A	55	16	5	5.5	27.4	24	10.5	4	SW 24	21
G 1 3/4 A	62	20	5	5.5	36.6	32	14.0	4	SW 32	25
G 2 A	68	20	5	5.5	36.6	32	14.0	4	SW 32	25

All technical data refer to the measure mm

