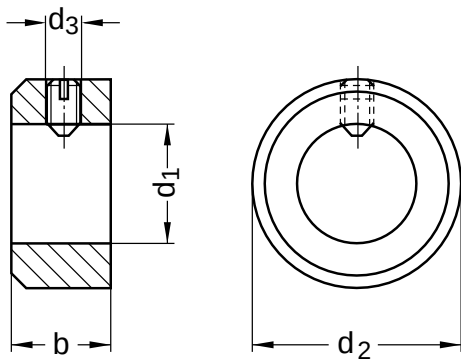


DIN 705
Adjusting rings

Form A

Steel | zinc-plated | Cr(VI)-free

Further information: Up to $d = 70$ mm with 1 threaded pin, from $d = 80$ mm with 2 threaded pins



Diameter (d)	b nominal size	d ₁ nominal size	d ₂ nominal size	d ₃ nominal size
6	8	6	12	M4
8	8	8	16	M4
10	10	10	20	M5
12	12	12	22	M6
14	12	14	25	M6
15	12	15	25	M6
16	12	16	28	M6
18	14	18	32	M6
20	14	20	32	M6
22	14	22	36	M6
25	16	25	40	M8
30	16	30	45	M8
35	16	35	56	M8
40	18	40	63	M10
50	18	50	80	M10

All technical data refer to the measure mm

