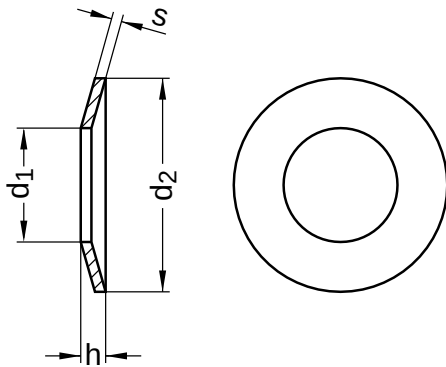


DIN 6796

Conical spring washers

For threaded connections

Spring steel | mechanically zinc-plated | Cr(VI)-free



Diameter (d)	d ₁ nominal size	d ₂ nominal size	h		s nominal size
			min.	max.	
2.5	2.7	6	0.61	0.72	0.50
3	3.2	7	0.72	0.85	0.60
3.5	3.7	8	0.92	1.06	0.80
4	4.3	9	1.12	1.30	1.00
5	5.3	11	1.35	1.55	1.20
6	6.4	14	1.70	2.00	1.50
7	7.4	17	2.00	2.30	1.75
8	8.4	18	2.24	2.60	2.00
10	10.5	23	2.80	3.20	2.50
12	13	29	3.43	3.95	3.00
14	15	35	4.04	4.65	3.50
16	17	39	4.58	5.25	4.00
18	19	42	5.08	5.80	4.50
20	21	45	5.60	6.40	5.00
24	25	56	6.77	7.75	6.00

All technical data refer to the measure mm

