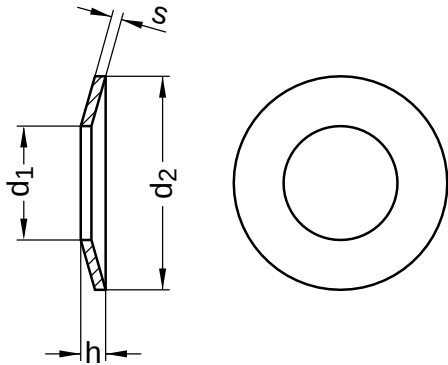


DIN 6796

Conical spring washers

For threaded connections

Stainless steel A2 | Cr(VI)-free



Diameter (d)	d ₁ nominal size	d ₂ nominal size	h		s nominal size
			min.	max.	
3	3.2	7	0.72	0.85	0.6
3.5	3.7	8	0.92	1.06	0.8
4	4.3	9	1.12	1.30	1.0
5	5.3	11	1.35	1.55	1.2
6	6.4	14	1.70	2.00	1.5
8	8.4	18	2.24	2.60	2.0
10	10.5	23	2.80	3.20	2.5
12	13	29	3.43	3.95	3.0
14	15	35	4.04	4.65	3.5
16	17	39	4.58	5.25	4.0

All technical data refer to the measure mm

