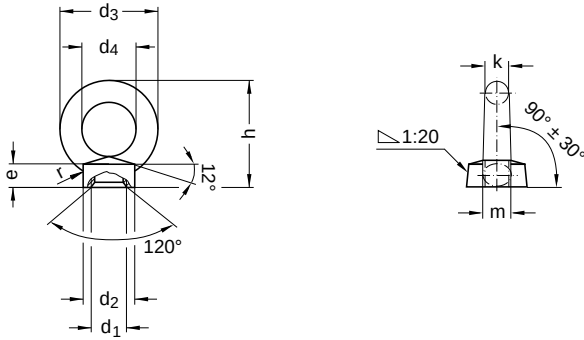


**DIN 582**  
**Eye nuts**  
Round ring

Stainless steel A2 | Cr(VI)-free | Metric thread



Diameter (d)	d <sub>2</sub>			d <sub>3</sub>			d <sub>4</sub>	e		
	nominal size	min.	max.	nominal size	min.	max.		nominal size	max.	min.
M8	20	19.5	20.9	36	35.5	37.1	20	8.5	9.4	8.0
M10	25	24.5	25.9	45	44.5	46.1	25	10.0	10.9	9.5
M12	30	29.5	30.9	54	53.5	55.1	30	11.0	11.9	10.5
M16	35	34.5	36.1	63	62.5	64.1	35	13.0	13.9	12.5
M20	40	39.5	41.1	72	71.5	73.1	40	16.0	16.9	15.5
M24	50	49.4	51.2	90	89.4	91.2	50	20.0	21.1	19.5

Diameter (d)	h			k			m			r	Pitch (P)
	nominal size	min.	max.	nominal size	min.	max.	nominal size	min.	max.		
M8	36	35.5	37.1	8	7.5	8.9	10	9.5	10.9	4	1.25
M10	45	44.5	46.1	10	9.5	10.9	12	11.5	12.9	4	1.50
M12	53	52.5	54.1	12	11.5	12.9	14	13.5	14.9	6	1.75
M16	62	61.5	63.1	14	13.5	14.9	16	15.5	16.9	6	2.00
M20	71	70.5	72.1	16	15.5	16.9	19	18.5	19.9	8	2.50
M24	90	89.4	91.2	20	19.5	21.1	24	23.5	25.1	12	3.00

All technical data refer to the measure mm

