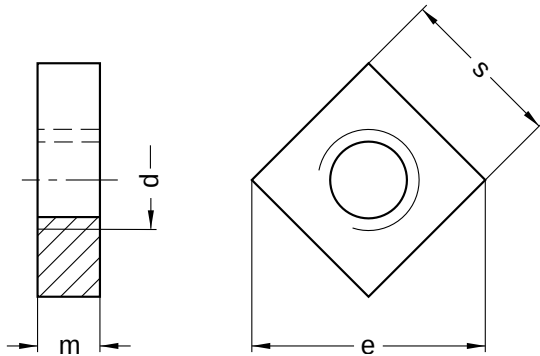


DIN 562

Square nuts

Low form

Stainless steel A2 | Cr(VI)-free | Metric thread



Diameter (d)	e		m		s		Pitch (P)
	min.	max.	min.	max.	min.	max.	
M2	5.0	0.80	1.2	3.70	4.0	0.40	
M2.5	6.3	1.20	1.6	4.70	5.0	0.45	
M3	7.0	1.40	1.8	5.20	5.5	0.50	
M4	8.9	1.80	2.2	6.64	7.0	0.70	
M5	10.2	2.30	2.7	7.64	8.0	0.80	
M6	12.7	2.72	3.2	9.64	10.0	1.00	
M8	16.5	3.52	4.0	12.57	13.0	1.25	
M10	20.2	4.52	5.0	15.57	16.0	1.50	

All technical data refer to the measure mm

