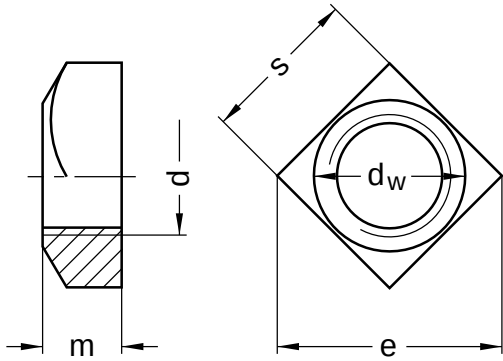


DIN 557
Square nuts

Steel 5 | bright | Cr(VI)-free | Metric thread



Diameter (d)	d _w		e		m		s		Pitch (P)
	min.	max.	min.	max.	min.	max.	min.	max.	
M5	6.7	11.3	9.93	3.52	4.0	7.64	8	0.80	
M6	8.7	14.1	12.53	4.52	5.0	9.64	10	1.00	
M8	11.5	18.4	16.34	5.92	6.5	12.57	13	1.25	
M10	14.5	22.6	20.24	7.42	8.0	15.57	16	1.50	
M12	16.5	25.4	22.84	9.42	10.0	17.57	18	1.75	
M16	22.0	33.9	30.11	12.30	13.0	23.16	24	2.00	

All technical data refer to the measure mm

