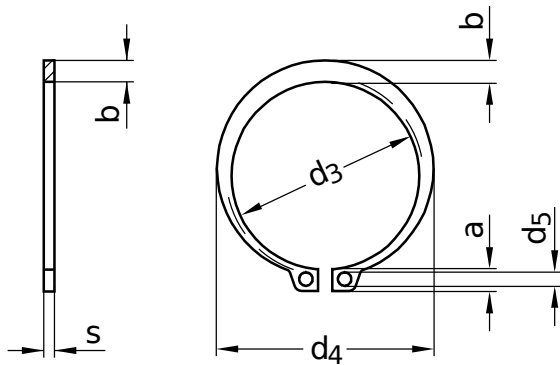


DIN 471

Lock rings

For shafts | regular version

Stainless steel 1.4122 | Cr(VI)-free



Diameter (d)	a max.	b	d ₁ nominal size	d ₃		d ₄	d ₅	s			
				nominal size	min.			max.	nominal size	min.	max.
4	2.2	0.9	4	3.7	3.55	3.74	8.5	1.0	0.40	0.35	0.40
5	2.5	1.1	5	4.7	4.55	4.74	10.3	1.0	0.60	0.55	0.60
6	2.7	1.3	6	5.6	5.45	5.64	11.7	1.2	0.70	0.65	0.70
7	3.1	1.4	7	6.5	6.32	6.56	13.5	1.2	0.80	0.75	0.80
8	3.2	1.5	8	7.4	7.22	7.46	14.7	1.2	0.80	0.75	0.80
9	3.3	1.7	9	8.4	8.22	8.46	16.0	1.2	1.00	0.94	1.00
10	3.3	1.8	10	9.3	8.94	9.40	17.0	1.5	1.00	0.94	1.00
11	3.3	1.8	11	10.2	9.84	10.30	18.0	1.5	1.00	0.94	1.00
12	3.3	1.8	12	11	10.64	11.10	19.0	1.7	1.00	0.94	1.00
13	3.4	2.0	13	11.9	11.54	12.00	20.2	1.7	1.00	0.94	1.00
14	3.5	2.1	14	12.9	12.54	13.00	21.4	1.7	1.00	0.94	1.00
15	3.6	2.2	15	13.8	13.44	13.90	22.6	1.7	1.00	0.94	1.00
16	3.7	2.2	16	14.7	14.34	14.80	23.8	1.7	1.00	0.94	1.00
17	3.8	2.3	17	15.7	15.34	15.80	25.0	1.7	1.00	0.94	1.00
18	3.9	2.4	18	16.5	16.14	16.60	26.2	2.0	1.20	1.14	1.20
19	3.9	2.5	19	17.5	17.14	17.60	27.2	2.0	1.20	1.14	1.20
20	4.0	2.6	20	18.5	18.08	18.63	28.4	2.0	1.20	1.14	1.20
22	4.2	2.8	22	20.5	20.08	20.63	30.8	2.0	1.20	1.14	1.20
24	4.4	3.0	24	22.2	21.78	22.41	33.2	2.0	1.20	1.14	1.20
25	4.4	3.0	25	23.2	22.78	23.41	34.2	2.0	1.20	1.14	1.20
26	4.5	3.1	26	24.2	23.78	24.41	35.5	2.0	1.20	1.14	1.20
28	4.7	3.2	28	25.9	25.48	26.11	37.9	2.0	1.50	1.44	1.50
29	4.8	3.4	29	26.9	26.48	27.11	39.1	2.0	1.50	1.44	1.50
30	5.0	3.5	30	27.9	27.48	28.11	40.5	2.0	1.50	1.44	1.50
32	5.2	3.6	32	29.6	29.18	29.81	43.0	2.5	1.50	1.44	1.50
34	5.4	3.8	34	31.5	31.00	31.75	45.4	2.5	1.50	1.44	1.50
35	5.6	3.9	35	32.2	31.70	32.45	46.8	2.5	1.50	1.44	1.50
36	5.6	4.0	36	33.2	32.70	33.45	47.8	2.5	1.75	1.69	1.75
38	5.8	4.2	38	35.2	34.70	35.45	50.2	2.5	1.75	1.69	1.75
40	6.0	4.4	40	36.5	35.60	36.89	52.6	2.5	1.75	1.69	1.75
42	6.5	4.5	42	38.5	37.60	38.89	55.7	2.5	1.75	1.69	1.75
45	6.7	4.7	45	41.5	40.60	41.89	59.1	2.5	1.75	1.69	1.75

All technical data refer to the measure mm



DIN 471

Lock rings

For shafts | regular version

Stainless steel 1.4122 | Cr(VI)-free

Diameter (d)	a max.	b	d ₁ nominal size	d ₃		d ₄	d ₅	s			
				nominal size	min.			max.	nominal size	min.	max.
48	6.9	5.0	48	44.5	43.60	44.89	62.5	2.5	1.75	1.69	1.75
50	6.9	5.1	50	45.8	44.90	46.19	64.5	2.5	2.00	1.93	2.00
52	2.0	5.2	52	47.8	46.90	48.19	66.7	2.5	2.00	1.93	2.00
55	7.2	5.4	55	50.8	49.70	51.26	70.2	2.5	2.00	1.93	2.00
60	7.4	5.8	60	55.8	54.70	56.26	75.6	2.5	2.00	1.93	2.00
65	7.8	6.3	65	60.8	59.70	61.26	81.4	3.0	2.50	2.43	2.50
68	8.0	6.5	68	63.5	62.40	63.96	84.8	3.0	2.50	2.43	2.50
70	8.1	6.5	70	65.5	64.40	65.96	87.0	3.0	2.50	2.43	2.50
75	8.4	7.0	75	70.5	69.40	70.96	92.7	3.0	2.50	2.43	2.50
80	8.6	7.4	80	74.5	73.40	74.96	98.1	3.0	2.50	2.43	2.50
85	8.7	7.8	85	79.5	78.40	79.96	103.3	3.5	3.00	2.92	3.00
90	8.8	8.2	90	84.5	83.20	85.04	108.5	3.5	3.00	2.92	3.00
95	9.4	8.6	95	89.5	88.20	90.04	114.8	3.5	3.00	2.92	3.00
100	9.6	9.0	100	94.5	93.20	95.04	120.2	3.5	3.00	2.92	3.00

All technical data refer to the measure mm

