

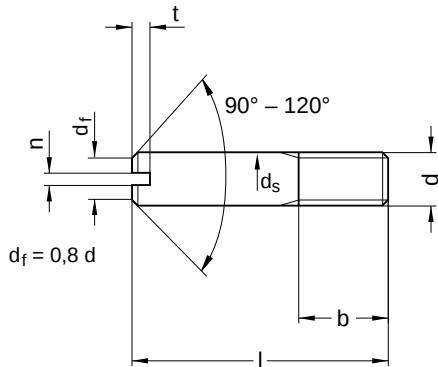
DIN 427 identical with ISO 2342

Headless screws

With slot and chamfer end

Steel 14 H | bright | Cr(VI)-free | Metric thread

Further information: DIN standard has been withdrawn



Diameter (d)	b nominal size	d _s		nominal size	n		Pitch (P)	t	
		min.	max.		min.	max.		max.	min.
M3	3.6	2.86	3	0.4	0.46	0.60	0.50	1.05	0.80
M4	4.8	3.82	4	0.6	0.66	0.80	0.70	1.42	1.12
M5	6.0	4.82	5	0.8	0.86	1.00	0.80	1.63	1.28
M6	7.2	5.82	6	1.0	1.06	1.20	1.00	2.00	1.60
M8	9.6	7.78	8	1.2	1.26	1.51	1.25	2.50	2.00
M10	12.0	9.78	10	1.6	1.66	1.91	1.50	3.00	2.40
M12	14.0	11.73	12	2.0	2.06	2.31	1.75	3.70	2.80
M16	18.0	15.73	16	2.5	2.56	2.81	2.00	4.20	3.20

nominal size	Length (l)	
	min.	max.
6	5.7	6.3
8	7.7	8.3
10	9.7	10.3
12	11.7	12.3
16	15.7	16.3
18	17.7	18.3
20	19.6	20.4
22	21.6	22.4

nominal size	Length (l)	
	min.	max.
25	24.6	25.4
30	29.6	30.4
35	34.5	35.5
40	39.5	40.5
45	44.5	45.5
50	49.5	50.5

All technical data refer to the measure mm



DIN 427 identical with ISO 2342

Headless screws

With slot and chamfer end

Steel 14 H | bright | Cr(VI)-free | Metric thread

Diameter (d)	Length (l)													
	6	8	10	12	16	18	20	22	25	30	35	40	45	50
M3	●	●	●											
M4		●	●	●										
M5			●	●	●	●	●	●	●	●				
M6				●	●	●	●							
M8					●	●	●	●	●	●				
M10							●	●	●	●	●			●
M12									●	●	●	●	●	
M16										●	●	●	●	●

• Combinations available in the eShop | Other sizes on request

All technical data refer to the measure mm

