

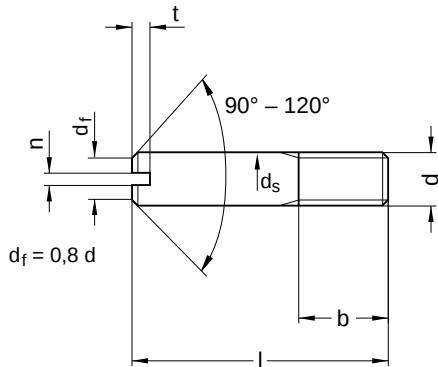
DIN 427 identical with ISO 2342

Headless screws

With slot and chamfer end

Stainless steel 1.4305 | Cr(VI)-free | Metric thread

Further information: DIN standard has been withdrawn



Diameter (d)	b nominal size	d _s		nominal size	n		Pitch (P)	t	
		min.	max.		min.	max.		max.	min.
M3	3.6	2.86	3	0.4	0.46	0.60	0.50	1.05	0.80
M4	4.8	3.82	4	0.6	0.66	0.80	0.70	1.42	1.12
M5	6.0	4.82	5	0.8	0.86	1.00	0.80	1.63	1.28
M6	7.2	5.82	6	1.0	1.06	1.20	1.00	2.00	1.60
M8	9.6	7.78	8	1.2	1.26	1.51	1.25	2.50	2.00
M10	12.0	9.78	10	1.6	1.66	1.91	1.50	3.00	2.40

nominal size	Length (l)	
	min.	max.
6	5.7	6.3
8	7.7	8.3
10	9.7	10.3
12	11.7	12.3
16	15.7	16.3
20	19.6	20.4

nominal size	Length (l)	
	min.	max.
25	24.6	25.4
30	29.6	30.4
35	34.5	35.5

Diameter (d)	Length (l)									
	6	8	10	12	16	20	25	30	35	
M3	●	●	●							
M4			●	●	●	●				
M5			●	●	●					
M6				●	●	●	●			
M8					●	●	●			
M10						●	●	●	●	

• Combinations available in the eShop | Other sizes on request

All technical data refer to the measure mm

