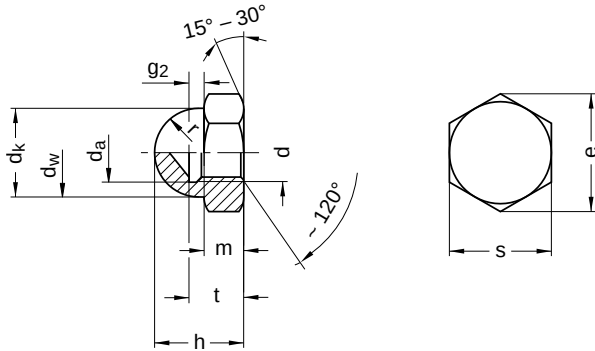


DIN 1587

Hexagon cap nuts

High form

Plastic Natural polyamide | Cr(VI)-free | Metric thread



Diameter (d)	d _a		d _k	d _w	e	g ₂	h	m		r	s		Pitch (P)	t		Tool size
	min.	max.	max.	min.	min.	max.	max.	min.	max.	nominal size	max.	min.		max.	min.	
M4	4	4.60	6.5	5.9	7.50	–	8	2.90	3.2	3.25	7	6.64	0.70	5.74	5.26	SW 7
M5	5	5.75	7.5	6.9	8.63	–	10	3.70	4.0	3.75	8	7.64	0.80	7.79	7.21	SW 8
M6	6	6.75	9.5	8.9	10.89	–	12	4.70	5.0	4.75	10	9.64	1.00	8.29	7.71	SW 10
M8	8	8.75	12.5	11.6	14.20	–	15	6.14	6.5	6.25	13	12.57	1.25	11.35	10.65	SW 13
M10	10	10.80	15.0	14.6	17.59	–	18	7.64	8.0	7.5	16	15.57	1.50	13.35	12.65	SW 16
M12	12	13.00	17.0	16.6	19.85	6.4	22	9.64	10.0	8.5	18	17.57	1.75	16.35	15.65	SW 18
M16	16	17.30	23.0	22.5	26.17	7.3	28	12.30	13.0	11.5	24	23.16	2.00	21.42	20.58	SW 24

All technical data refer to the measure mm

