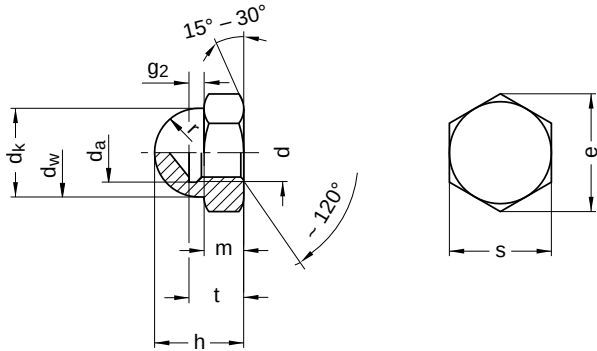
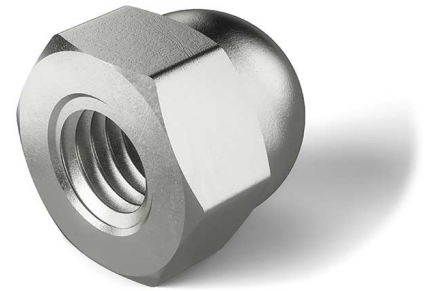


**DIN 1587**  
**Hexagon cap nuts**

High form

Stainless steel A2 | Cr(VI)-free | Metric thread



Diameter (d)	d <sub>a</sub>		d <sub>k</sub>	d <sub>w</sub>	e	g <sub>2</sub>	h	m		r	s		Pitch (P)	t		Tool size
	min.	max.	max.	min.	min.	max.	max.	min.	max.	nominal size	max.	min.		max.	min.	
M4	4	4.60	6.5	5.9	7.50	–	8	2.90	3.2	3.25	7	6.64	0.70	5.74	5.26	SW 7
M5	5	5.75	7.5	6.9	8.63	–	10	3.70	4.0	3.75	8	7.64	0.80	7.79	7.21	SW 8
M6	6	6.75	9.5	8.9	10.89	–	12	4.70	5.0	4.75	10	9.64	1.00	8.29	7.71	SW 10
M8	8	8.75	12.5	11.6	14.20	–	15	6.14	6.5	6.25	13	12.57	1.25	11.35	10.65	SW 13
M10	10	10.80	15.0	14.6	17.59	–	18	7.64	8.0	7.5	16	15.57	1.50	13.35	12.65	SW 16
M12	12	13.00	17.0	16.6	19.85	6.4	22	9.64	10.0	8.5	18	17.57	1.75	16.35	15.65	SW 18
M14	14	15.10	20.0	19.6	22.78	7.3	25	10.30	11.0	10	21	20.16	2.00	18.35	17.65	SW 21
M16	16	17.30	23.0	22.5	26.17	7.3	28	12.30	13.0	11.5	24	23.16	2.00	21.42	20.58	SW 24
M18	18	19.50	26.0	24.9	29.56	9.3	32	14.30	15.0	13	27	26.16	2.50	25.42	24.58	SW 27
M20	20	21.60	28.0	27.7	32.95	9.3	34	14.90	16.0	14	30	29.16	2.50	26.42	25.58	SW 30
M22	22	23.70	33.0	31.4	37.29	9.3	39	16.90	18.0	16.5	34	33.00	2.50	29.42	28.58	SW 32

All technical data refer to the measure mm

