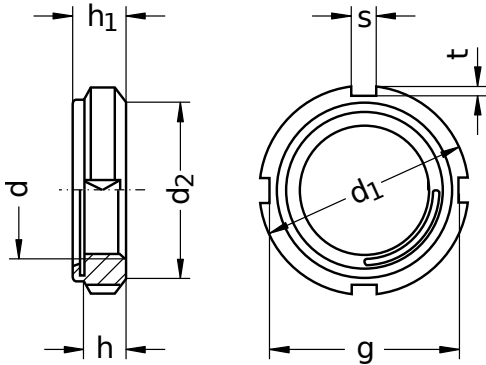


**B 53051**  
**FINE U-NUT® self-locking nuts**

With metric fine thread of stainless steel

Steel 8 | bright | Cr(VI)-free | Metric fine thread

Further information: material nuts: steel S45C | bright | material insert: stainless steel



Diameter (d)	d <sub>1</sub>		d <sub>2</sub>		g		h <sub>1</sub>		
	min.	max.	min.	max.	max.	min.	nominal size	min.	max.
M10 x 0.75	17.5	18	13.00	13.5	14.4	13.9	5.2	4.9	5.5
M12 x 1	21.5	22	16.50	17.0	18.4	17.9	5.4	5.1	5.7
M15 x 1	24.5	25	20.50	21.0	21.4	20.9	6.5	6.0	7.0
M17 x 1	27.5	28	23.50	24.0	24.2	23.7	6.4	5.9	6.9
M20 x 1	31.5	32	25.50	26.0	28.4	27.9	7.7	7.2	8.2
M25 x 1.5	37.5	38	31.50	32.0	34.0	33.5	9.1	8.6	9.6
M30 x 1.5	44.5	45	37.50	38.0	41.0	40.5	9.1	8.3	9.9
M35 x 1.5	51.5	52	43.50	44.0	48.0	47.5	10.2	9.4	11.0
M40 x 1.5	57.5	58	49.50	50.0	53.0	52.5	11.2	10.4	12.0
M45 x 1.5	64.5	65	55.50	56.0	60.0	59.5	12.5	11.5	13.5
M50 x 1.5	69.5	70	60.50	61.0	65.0	64.5	13.5	12.5	14.5
M55 x 2	74.5	75	66.50	67.0	69.0	68.5	13.5	12.5	14.5
M60 x 2	79.5	80	72.50	73.0	74.0	73.5	13.5	12.5	14.5
M65 x 2	84.5	85	78.50	79.0	79.0	78.5	15.0	13.5	16.5
M70 x 2	91.5	92	84.50	85.0	85.0	84.5	15.0	13.5	16.5
M75 x 2	97.5	98	89.50	90.0	91.0	90.5	15.8	14.3	17.3
M80 x 2	104.5	105	94.50	95.0	98.0	97.5	18.6	17.1	20.1
M85 x 2	109.5	110	101.25	102.0	103.0	102.5	19.2	17.7	20.7
M90 x 2	119.5	120	107.25	108.0	112.0	111.5	20.3	18.8	21.8
M95 x 2	124.5	125	112.25	113.0	117.0	116.5	21.3	19.8	22.8
M100 x 2	129.5	130	119.25	120.0	122.0	121.5	22.3	20.8	23.8

Diameter (d)	h	s	Pitch		t
	nominal size		nominal size	(P)	
M10 x 0.75	4	3	2.8	3.2	1.8
M12 x 1	4	3	2.8	3.2	1.8
M15 x 1	5	4	3.8	4.2	1.8
M17 x 1	5	4	3.8	4.2	1.9
M20 x 1	6	4	3.8	4.2	1.8
M25 x 1.5	7	5	4.8	5.2	2.0
M30 x 1.5	7	5	4.8	5.2	2.0
M35 x 1.5	8	5	4.8	5.2	2.0

All technical data refer to the measure mm



**B 53051**

**FINE U-NUT® self-locking nuts**

With metric fine thread of stainless steel

Steel 8 | bright | Cr(VI)-free | Metric fine thread

Diameter (d)	h nominal size	s nominal size	s		Pitch (P)	t nominal size
			min.	max.		
M40 x 1.5	9	6	5.8	6.2	1.50	2.5
M45 x 1.5	10	6	5.8	6.2	1.50	2.5
M50 x 1.5	11	6	5.8	6.2	1.50	2.5
M55 x 2	11	7	6.8	7.2	2.00	3.0
M60 x 2	11	7	6.8	7.2	2.00	3.0
M65 x 2	12	7	6.8	7.2	2.00	3.0
M70 x 2	12	8	7.8	8.2	2.00	3.5
M75 x 2	13	8	7.8	8.2	2.00	3.5
M80 x 2	15	8	7.8	8.2	2.00	3.5
M85 x 2	16	8	7.7	8.3	2.00	3.5
M90 x 2	16	10	9.7	10.3	2.00	4.0
M95 x 2	17	10	9.7	10.3	2.00	4.0
M100 x 2	18	10	9.7	10.3	2.00	4.0

All technical data refer to the measure mm

