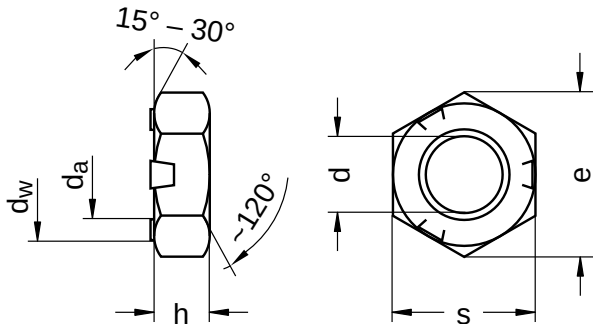


**B 53001**

**Hexagon nuts**

Self-locking | all-metal clamping part

Stainless steel A2 | Cr(VI)-free | Metric thread



Diameter (d)	d <sub>a</sub>		d <sub>w</sub> min.	h max.	e min.	s		Pitch (P)	Tool size
	min.	max.				min.	max.		
M5	5	5.75	6.8	4.5	8.79	7.78	8	0.80	SW 8
M6	6	6.75	8.8	5.5	11.05	9.78	10	1.00	SW 10
M8	8	8.75	11.3	7.0	14.38	12.73	13	1.25	SW 13
M10	10	10.80	15.3	9.0	18.90	16.73	17	1.50	SW 17
M12	12	13.00	17.2	11.0	21.10	18.69	19	1.75	SW 19

All technical data refer to the measure mm

