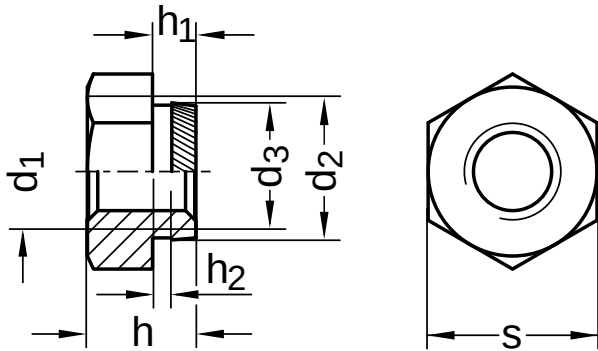


**B 51010**

**Insert nuts**

High collar

Steel | zinc-plated | Cr(VI)-free | Metric thread



Diameter (d)	d <sub>1</sub>		d <sub>2</sub>			d <sub>3</sub>		h <sub>1</sub>		
	min.	max.	nominal size	min.	max.	min.	max.	nominal size	min.	max.
M4	5.42	5.5	5.7	5.65	5.72	5.4	5.5	1.8	1.75	1.87
M5	6.42	6.5	6.75	6.69	6.80	6.4	6.5	1.8	1.75	1.87
M6	7.92	8.0	8.3	8.24	8.35	7.8	8.0	1.8	1.75	1.87

Diameter (d)	h <sub>2</sub>		h		s nominal size	Pitch (P)	Tool size
	nominal size	min.	min.	max.			
M4	0.8	0.6	3.00	3.2	7	0.7	SW 7
M5	0.8	0.6	3.80	4.0	8	0.8	SW 8
M6	0.8	0.6	4.64	5.0	10	1.0	SW 10

All technical data refer to the measure mm

